

*duplicate*

The applicable provisions of the latest issue of MIL-E-1 pertain to this specification.

Application: Spark Gap Protective Device for a Pulse Transformer.

<u>Ratings:</u>	<u>Min.</u>	<u>Max.</u>	<u>Unit</u>
Breakdown Voltage	5.0	6.0	kv
Ambient Temperature	To be specified	+100	°C

Mounting: To be mounted in any position

Packing: To be specified

<u>Ref.</u>	<u>Test</u>	<u>Conditions</u>	<u>Min.</u>	<u>Max.</u>	<u>Unit</u>
3.1	Qualification Approval:	Required for JAN Marking	:---	---	---
4.5	Holding Period:	t=168 hours	:---	---	---
4.9.2	Dimensions:	Per attached Outline dated 10/16/59	:---	---	---
---	Breakdown Voltage:	Notes 1,2	epy:5.0	6.0	kv

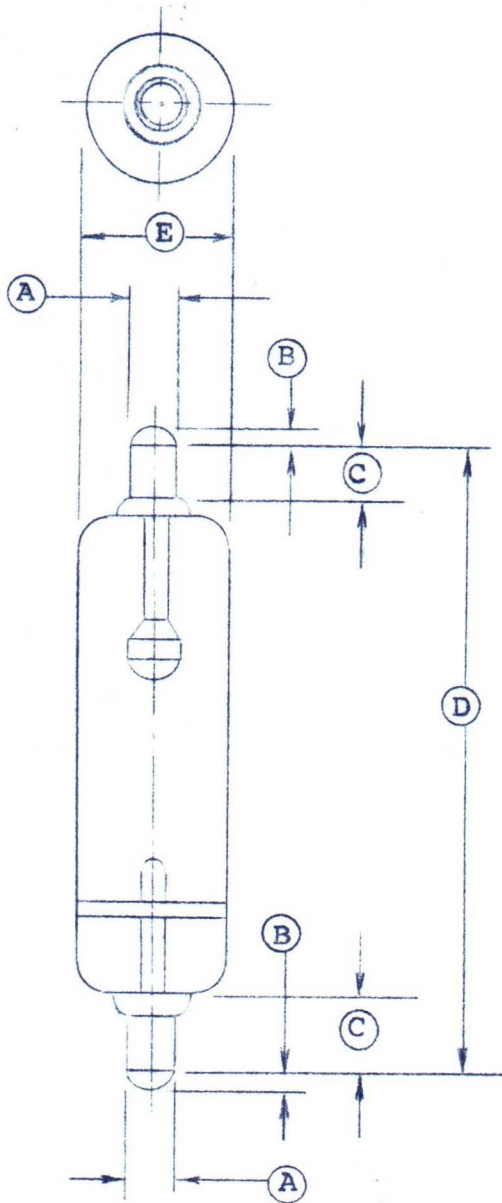
**Note 1:** The tube shall be tested, under the specified conditions in parallel with the secondary of a pulse transformer operated from a line-type pulse modulator as follows:  $tp=3.0\pm 0.2\mu s$ ;  $trv=0.5\mu s$  max.;  $prf=330\pm 15$  pps. Both the pulse transformer secondary and a load resistor in parallel with the tube under test shall have an impedance of approximately 1200 ohms. The peak voltage across the secondary shall be continuously adjustable.

**Note 2:** The peak voltage at which the tube under test breaks down shall satisfy the specified limit.

TENTATIVE  Page 1 of 2	<b>SPECIFICATION SHEET</b>	METCO INC. 76 LAFAYETTE ST. SALEM, MASS.  6/14/60
	TYPE MDS-40 Spark Gap	

NOTE: OUTLINE USED FOR FOLLOWING TUBES

- |        |        |
|--------|--------|
| MDS-12 | MDS-19 |
| MDS-13 | MDS-25 |
| MDS-14 | MDS-26 |
| MDS-15 | MDS-27 |
| MDS-16 | MDS-28 |
| MDS-17 | MDS-29 |
| MDS-18 | MDS-40 |



NOTE: DIMENSION E ON THE MDS-28 IS  $0.500 \pm 0.031$  DIA.

REF.	DIMENSION IN INCHES
A**	0.250 DIA.
B**	0.031 MAX.
C**	0.240 MIN.
D	$3.250 \pm 0.062$
E*	$0.750 \pm 0.031$ DIA.

POSITIVE (GROUNDED) END IDENTIFIED BY WHITE BAND.

TENTATIVE	<b>SPECIFICATION SHEET</b>	METCO INC. 76 LAFAYETTE ST. SALEM, MASS.
	OUTLINE FOR TUBE TYPE SEE ABOVE	
		10/16/59