

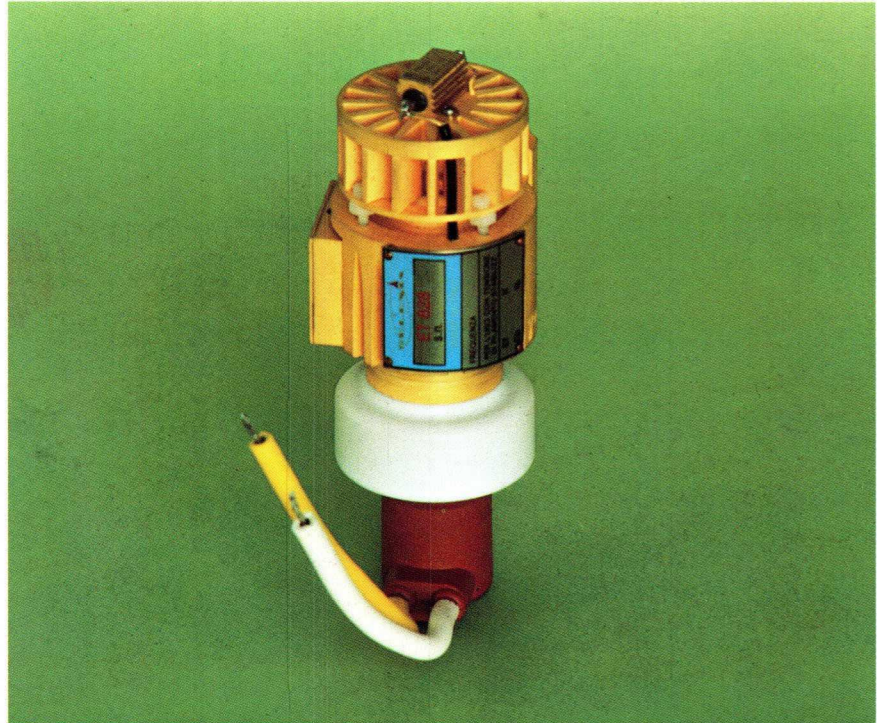
ET 2828

LOW NOISE OSCILLATOR

The ET 2828 is a klystron oscillator designed for cw operation and tunable in the X band region, with a power output of 180 watt.

This klystron displays an extremely low AM and FM noise sidebands and provides highly reliable operation under the worst environmental conditions, and it has been designed to achieve the most stringent military requirements.

These technical data should be used as a guide for equipment designers. For any operating conditions other than those recommended in this data sheet, the manufacturer should be consulted.



▲ LOW NOISE KLYSTRON ET 2828

Electrical data

HEATER CHARACTERISTICS:

Heater voltage (nominal)	3.2 V dc
Heater current (nominal)	6.4 A
Preheat time	60 s

OPERATING CHARACTERISTICS:

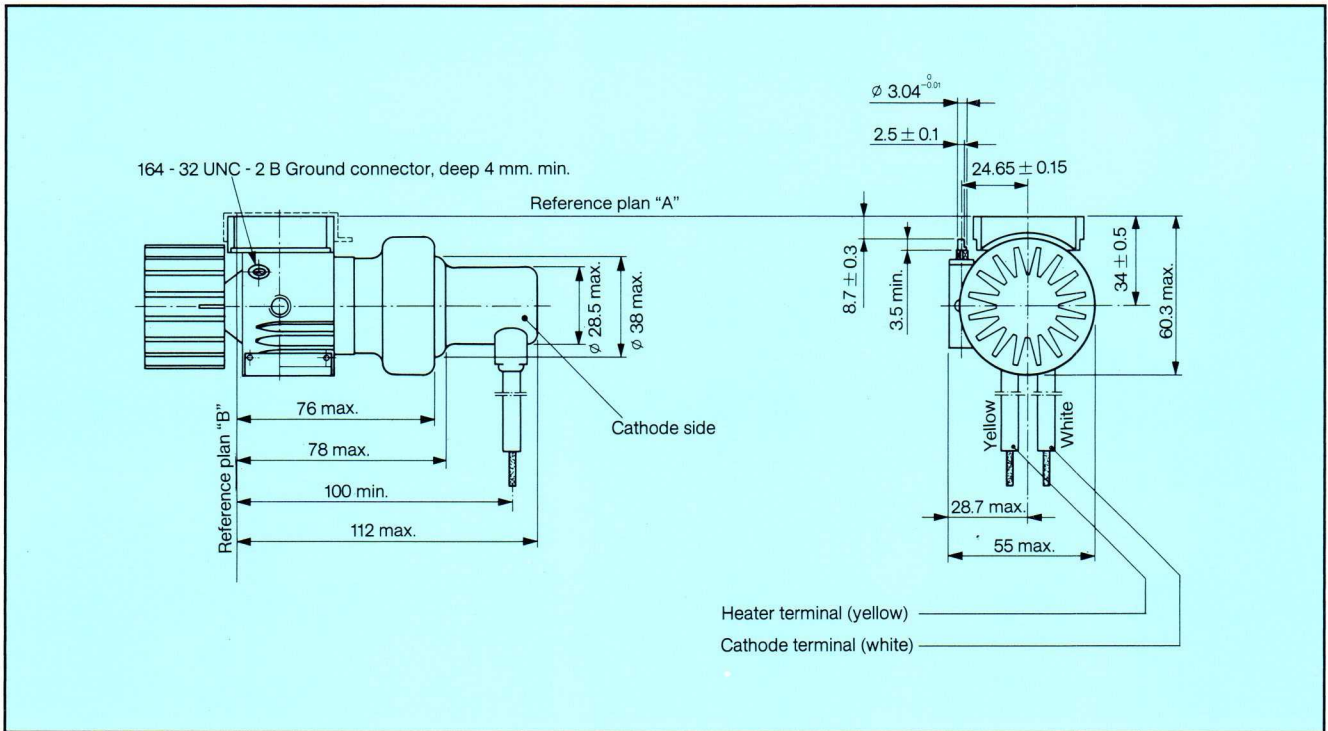
Frequency	9.9 to 10.3 GHz
Beam voltage (typical)	13 kV
Beam current (max.)	140 mA
Power output (typical)	180 W
Tuning range	125 MHz
Temperature Coefficient (nominal)	0.15 MHz/°C
Focusing	electrostatic

Mechanical data

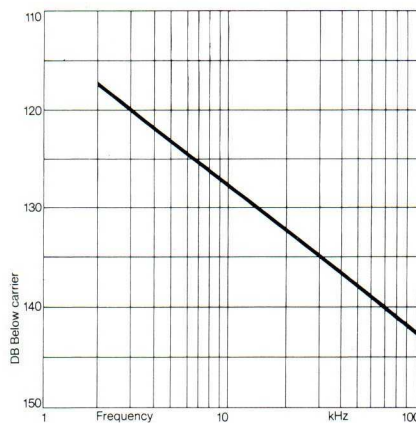
Mounting position	vertical
Weight (approx.)	1.2 kg
Cooling	boiling liquid
Output flange	UG-39/U
Overall dimensions	144x60x55 mm

ET 2828

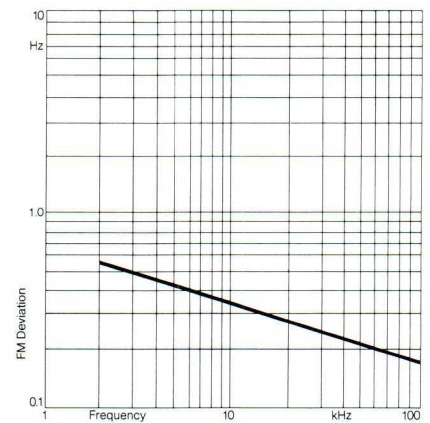
(Dimensions in mm)



▲ THE REFERENCE PLAN "A" IS A PLAN PASSING THROUGH THE WAVEGUIDE FLANGE SURFACE.
 THE REFERENCE PLAN "B" IS ORTHOGONAL TO THE PLAN "A" AND PASSING THROUGH HOLE AXES OF THE FLANGE



▲ TYPICAL AM NOISE WITH 1 KHz BANDWIDTH



▲ TYPICAL FM NOISE WITH 1 KHz BANDWIDTH