

MINISTRY OF AIRCRAFT PRODUCTION
DIRECTORATE OF COMMUNICATIONS DEVELOPMENTVALVE TYPE **CV43**

| | | |
|--|------------------------|---|
| Test Specification No. D.C.D., W.T. 1338. Issue No. 3. | Date 17th May, 1943 | To be read in conjunction with K1001, ignoring clause 5.2. |
| <u>TYPE OF VALVE</u> :- Gas-filled Resonator Spark Gap. | | <u>MARKING</u> CV43 |
| <u>REQUIREMENTS</u> | | <u>BASE</u> |
| <u>Gas Filling</u> - Water vapour with a pressure equivalent to 6 mm. of mercury. | | None - fixing by means of bracket conforming to Fig. 2 |
| <u>Copper Parts</u> - The internal and external copper parts shall be carefully cleaned with acid. | | <u>DIMENSIONS</u> The dimensions of the valve shall conform to Fig. 1. |
| <u>Resonant Frequency</u> - The nominal Wavelength on which the spark gap will operate is 9.1 cm. | | <u>TOP CAP</u> Terminal Type threaded 5 B.A. |

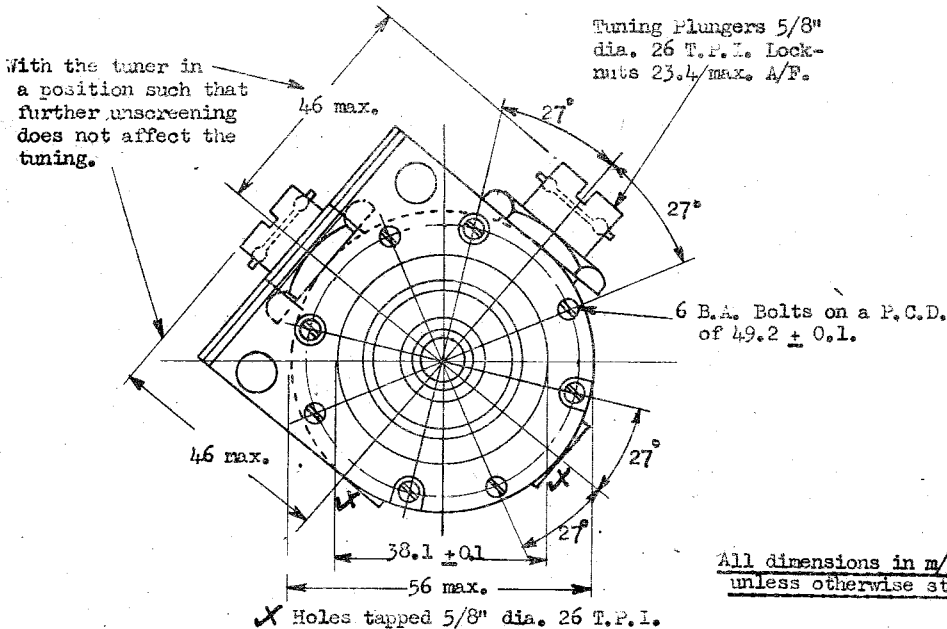
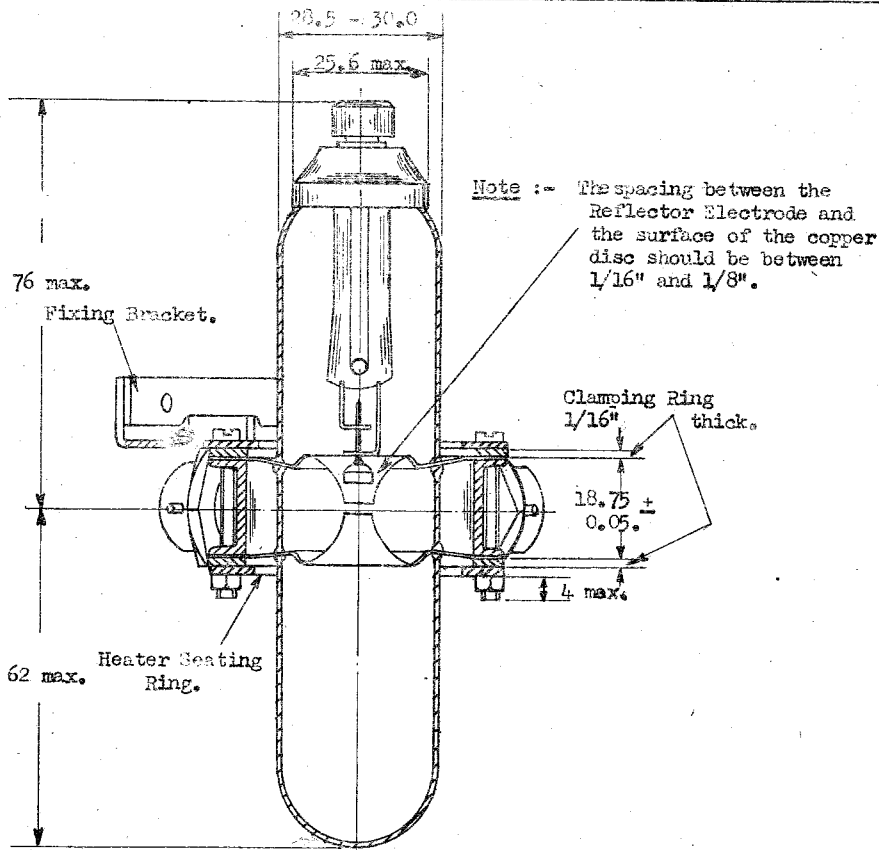
TESTS

To be performed in addition to those applicable in K1001.

| | Test | Limits | | No. Tested |
|-----|--|--------|------|------------|
| | | Min. | Max. | |
| → a | Wavelength tuning range in centimetres obtained by the adjustment of the two tuners. | 8.95 | 9.25 | 100% |
| → b | After a shelf life of 48 hours, the valve shall be tested with a Tesla coil for air-leak. The colour of the resulting discharge shall be whitish-blue. A tendency to a reddish-purple discharge, indicating too high an air content, shall cause the valve to be rejected. | | | 100% |

→ Indicates a change.

CV43/3/i.

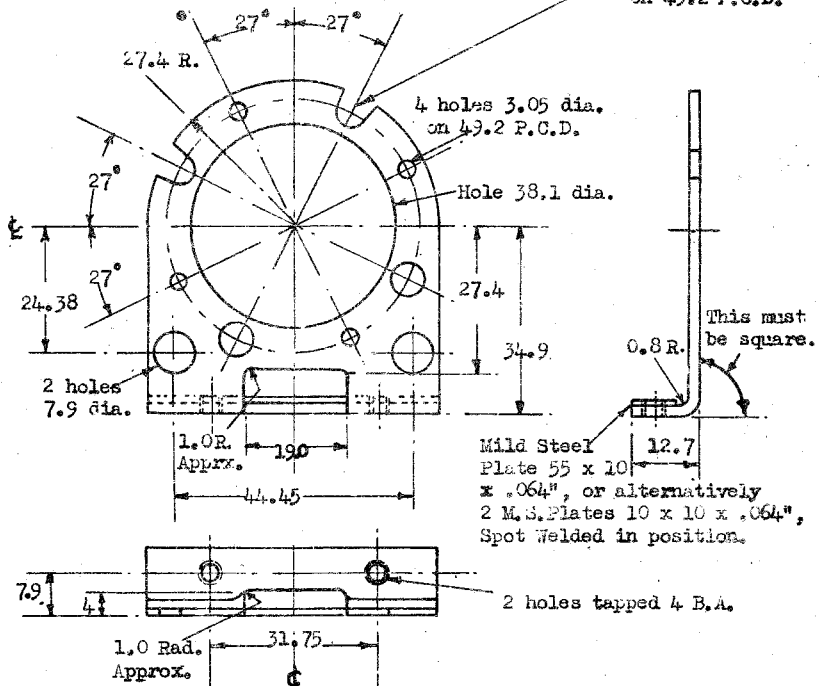


All dimensions in m/m unless otherwise stated.

1. FIXING BRACKET.

MILD STEEL .064" THICK.

2 Holes and 2 slots 6 dia. on 49.2 P.C.D.



All dimensions in mm. unless otherwise stated. Limits ± 0.10 .

2. HEATER SEATING RING.

MILD STEEL, .064" THICK.

4 holes 3.05 dia. on 49.2 P.C.D.

4 slots 6 dia. on 49.2 P.C.D.

