

ADMIRALTY SIGNAL ESTABLISHMENT

Specification AD/CV1171/Issue 2. Dated 9.1.46. To be read in conjunction with K1001.	<u>SECURITY</u>	
	<u>Specification</u> Restricted	<u>Valve.</u> Restricted

→ Indicates a change

<p><u>TYPE OF VALVE</u>:- Acorn triode with British pin-spacing.</p> <p><u>CATHODE</u>:- Indirectly heated.</p> <p><u>ENVELOPE</u>:- Glass. clear.</p> <p><u>PROTOTYPES</u>:- HA1, AT4, A40.</p>	<p><u>MARKING</u></p> <p>See K1001/4</p>
--	--

<u>RATING</u>		Note
Heater Voltage	(V) 4.0	
Heater Current	(A) 0.25	
Max. Anode Voltage	(V) 250	
Mutual Conductance	(mA/V) 2.2	A
<u>CAPACITANCES (pF.approx.)</u>		
Cgc	1.1	
Cac	0.65	

DIMENSIONS AND CONNECTIONS

See drawing page 3.

NOTE

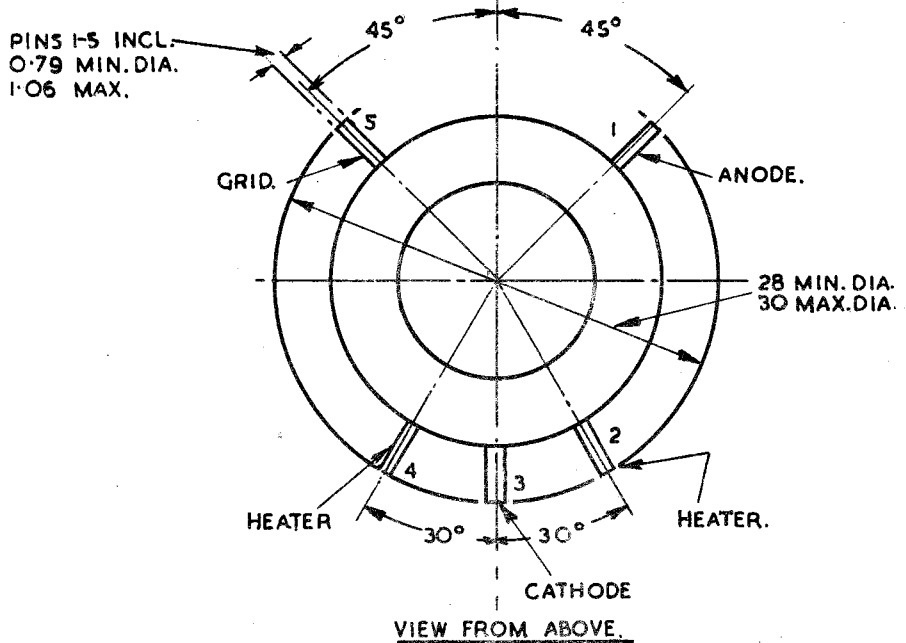
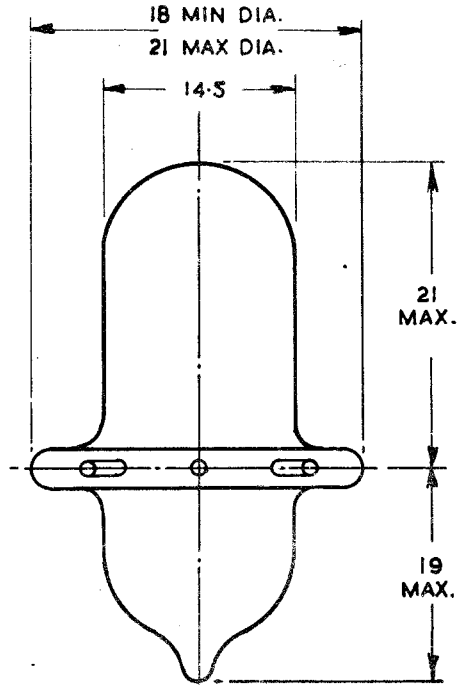
A. At $V_a = 250$, $V_g = -7$

TESTS

To be performed in addition to those applicable in K1001.

	Test Conditions				Test	Limits		No. Tested
						Min.	Max.	
a	See K1001/AIII.				Cag with cathode and heater free. (pF.)	-	1.9	6 per week
	Links to H.P.	Links to L.P.	Links to E.	Links omitted				
	2	3	6,7,8,9,10, TC1, TC2.	1,4,5.				
b	Vh (V)	Vg (V)	Va (V)	Ih (A)	0.23	0.27	100% or S	
	4.0	-	-					
c	4.0	-7	250	Ia (mA)	3.6	8.8	100%	
d	4.0	-7	250	gm (mA/V)	1.65	2.75	100%	
e	4.0	-7	250	μ	21.5	28.5	100%	
f	4.0	-7	250	Reverse Ig (μ A)	-	1.0	100%	

OUTLINE DIMENSIONS & CONNECTIONS CV1171



NOTES.

1. VALVES ARE TO BE CHECKED IN A.S.E. GAUGE NO 225 FOR OVERALL DIAMETER AND PIN DISPOSITIONS.
2. ALL DIMENSIONS ARE IN MILLIMETRES.