



12BH7-A

TWIN TRIODE

DESCRIPTION AND RATING

The 12BH7-A is a miniature, medium-mu twin triode designed primarily for use as a vertical-deflection amplifier in television receivers. In this application, the two sections may be employed in parallel, or they may be employed as a combined vertical-deflection amplifier and vertical oscillator. The tube is also suitable for use as the horizontal oscillator in television receivers as well as in a wide variety of general-purpose applications. Each section of the 12BH7-A features a relatively high plate current at low plate voltages and is capable of withstanding the high pulse voltages normally encountered in vertical-amplifier applications.

The 12BH7-A differs from the 12BH7 primarily by incorporating a controlled heater warm-up characteristic which makes the tube particularly suited for use in television receivers which employ 600-milliamperre series-connected heaters.

GENERAL

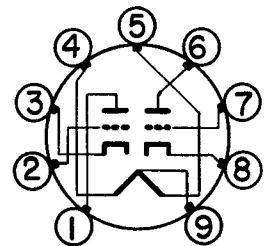
ELECTRICAL

Cathode—Coated Unipotential	Series	Parallel	
Heater Voltage, AC or DC	12.6	6.3	Volts
Heater Current	0.3	0.6	Amperes
Heater Warm-up Time*		11	Seconds
Direct Interelectrode Capacitances, approximate†			
Grid to Plate, Each Section	2.6		μμf
Input, Each Section	3.2		μμf
Output, Section 1	0.5		μμf
Output, Section 2	0.4		μμf
Plate to Plate	0.8		μμf

MECHANICAL

Mounting Position—Any
 Envelope—T-6½, Glass
 Base—E9-1, Small Button 9-Pin

BASING DIAGRAM

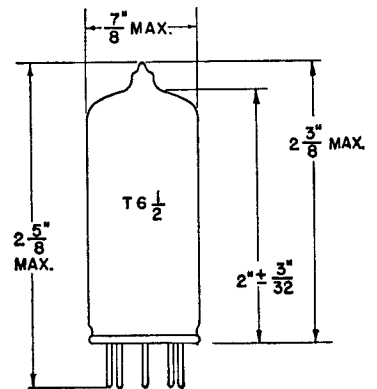


RETMA 9A

TERMINAL CONNECTIONS

- Pin 1—Plate (Section 2)
- Pin 2—Grid (Section 2)
- Pin 3—Cathode (Section 2)
- Pin 4—Heater
- Pin 5—Heater
- Pin 6—Plate (Section 1)
- Pin 7—Grid (Section 1)
- Pin 8—Cathode (Section 1)
- Pin 9—Heater Center-Tap

PHYSICAL DIMENSIONS



RETMA 6-3

MAXIMUM RATINGS

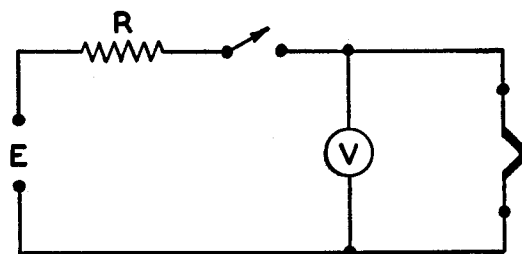
DESIGN-CENTER VALUES UNLESS OTHERWISE INDICATED, EACH SECTION	Class A₁ Amplifier	Vertical- Deflection Amplifier‡
DC Plate Voltage	300	450 Volts
Peak Positive Pulse Plate Voltage	1500§ Volts
Positive DC Grid Voltage	0	. . . Volts
Negative DC Grid Voltage	50	. . . Volts
Peak Negative Grid Voltage	250 Volts
Plate Dissipation	3.5	3.5π Watts
DC Cathode Current	20	20 Milliamperes
Peak Cathode Current	70 Milliamperes
Heater-Cathode Voltage		
Heater Positive with Respect to Cathode		
DC Component	100	100 Volts
Total DC and Peak	200	200 Volts
Heater Negative with Respect to Cathode		
Total DC and Peak	200	200 Volts
Grid Circuit Resistance		
With Fixed Bias	0.25	. . . Megohms
With Cathode Bias	1.0	2.2 Megohms
	Vertical- Oscillator Service‡	Horizontal- Oscillator Service‡
DC Plate Voltage	450	450 Volts
Peak Negative Grid Voltage	400	600 Volts
Plate Dissipation	3.5	3.5 Watts
DC Cathode Current	20	20 Milliamperes
Peak Cathode Current	70	300 Milliamperes
Heater-Cathode Voltage		
Heater Positive with Respect to Cathode		
DC Component	100	100 Volts
Total DC and Peak	200	200 Volts
Heater Negative with Respect to Cathode		
Total DC and Peak	200	200 Volts
Grid Circuit Resistance		
With Fixed Bias	2.2	2.2 Megohms
With Cathode Bias	2.2	2.2 Megohms

CHARACTERISTICS AND TYPICAL OPERATION

CLASS A₁ AMPLIFIER, EACH SECTION

Plate Voltage	250	250 Volts
Grid Voltage	-14	-10.5 Volts
Amplification Factor	16.5
Plate Resistance, approximate	5300 Ohms
Transconductance	3100 Micromhos
Plate Current	4.0	11.5 Milliamperes
Grid Voltage, approximate		
I _b = 50 Microamperes	-23 Volts

* Heater warm-up time is defined as the time required in the circuit shown at the right for the voltage across the heater terminals (V) to increase from zero to the heater test voltage (V_1). For this type, $E=25.0$ volts (RMS or DC), $V_1=5.0$ volts (RMS or DC) and $R=31.5$ ohms.



Heater of Tube under Test

† Without external shield.

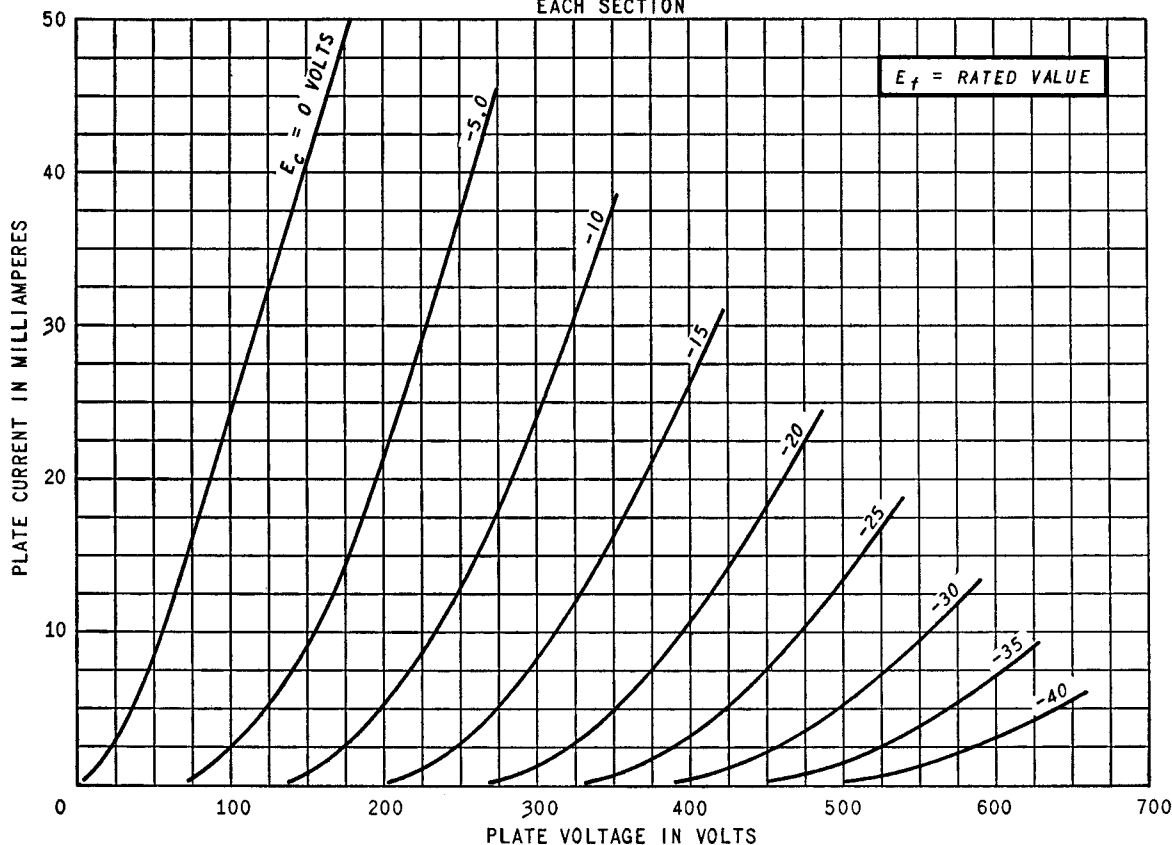
‡ For operation in a 525-line, 30-frame television system as described in "Standards of Good Engineering Practice Concerning Television Broadcast Stations," Federal Communications Commission. The duty cycle of the voltage pulse must not exceed 15 percent of one scanning cycle.

§ Value given is to be considered as an Absolute Maximum Rating. In this case, the combined effect of supply voltage variation, manufacturing variation including components in the equipment, and adjustment of equipment controls should not cause the rated value to be exceeded.

π In stages operating with grid-leak bias, an adequate cathode-bias resistor or other suitable means is required to protect the tube in the absence of excitation.

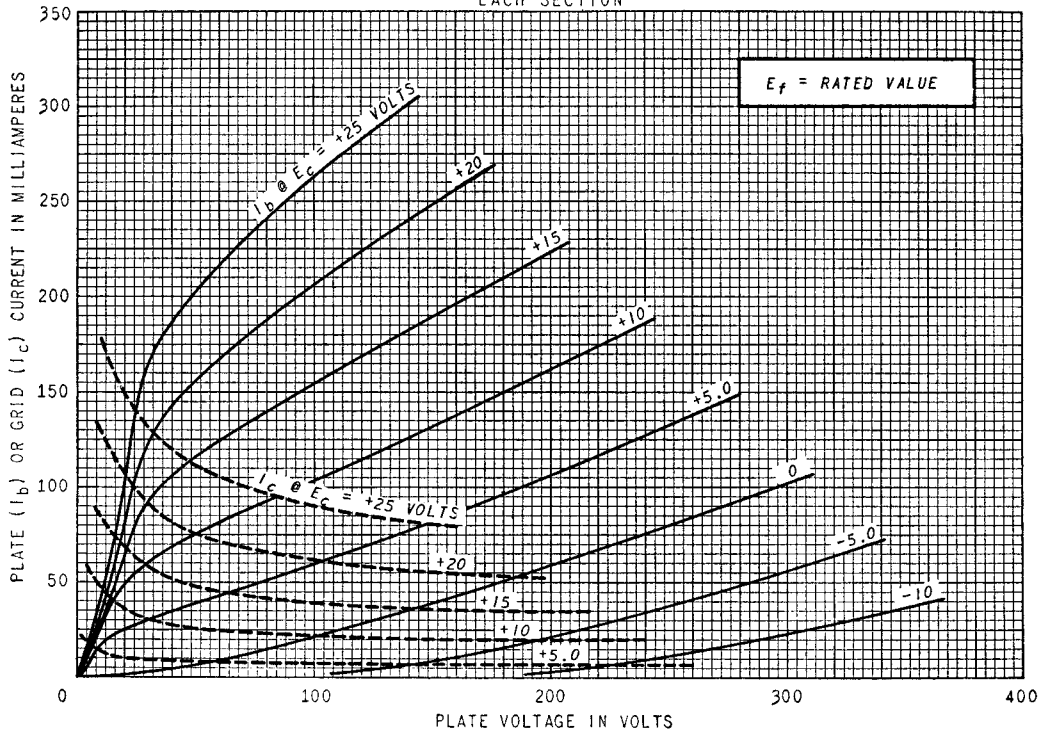
AVERAGE PLATE CHARACTERISTICS

EACH SECTION



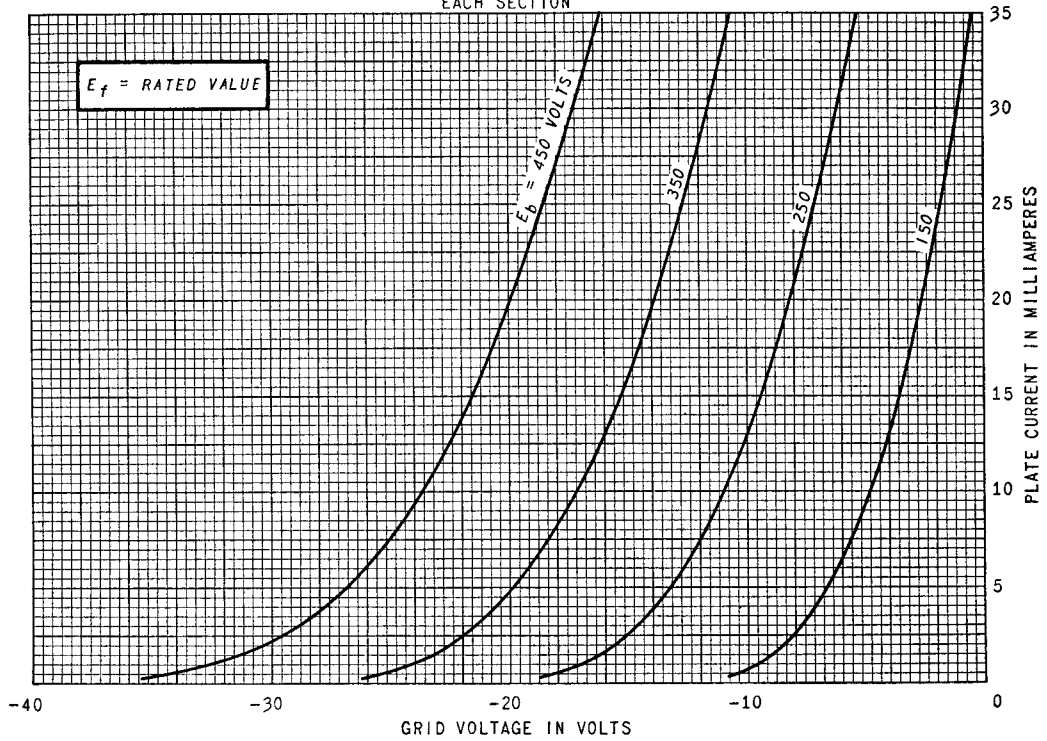
AVERAGE PLATE CHARACTERISTICS

EACH SECTION



AVERAGE TRANSFER CHARACTERISTICS

EACH SECTION



TUBE DEPARTMENT

GENERAL ELECTRIC

Schenectady 5, N. Y.