

TUNG-SOL

CATHODE RAY

THE 14HP4 IS A DIRECT-VIEW PICTURE TUBE DESIGNED FOR USE IN TELEVISION RECEIVERS. ITS FEATURES INCLUDE:

UNIPOTENTIAL CATHODE	MAGNETIC DEFLECTION
EXTERNAL CONDUCTIVE COATING	GREY FILTER FACEPLATE
RECTANGULAR GLASS CONSTRUCTION	11 3/8" X 8 1/2" RASTER SIZE
LOW VOLTAGE ELECTROSTATIC FOCUS	EXTERNAL SINGLE FIELD ION TRAP MAGNET

ELECTRICAL DATA

FOCUSING METHOD	LOW VOLTAGE	ELECTROSTATIC
DEFLECTING METHOD		MAGNETIC
DEFLECTION ANGLE (APPROX.):		
HORIZONTAL	65	DEGREES
DIAGONAL	70	DEGREES
DIRECT INTERELECTRODE CAPACITANCES (APPROX.):		
CATHODE TO ALL OTHER ELECTRODES	5	μ f
GRID #1 TO ALL OTHER ELECTRODES	6	μ f
MAXIMUM EXTERNAL CONDUCTIVE COATING TO ANODE	2 000	μ f
MINIMUM EXTERNAL CONDUCTIVE COATING TO ANODE	750	μ f

OPTICAL DATA

PHOSPHOR NUMBER	SULFIDE TYPE	P-4
FLUORESCENT COLOR		WHITE
PHOSPHORESCENT COLOR		WHITE
PERSISTENCE		MEDIUM
FACEPLATE TRANSMISSION AT CENTER (APPROX.):	74	PERCENT

RATINGS

INTERPRETED ACCORDING TO DESIGN CENTER SYSTEM

HEATER VOLTAGE	6.3	VOLTS
HEATER CURRENT	0.6	AMP.
MAXIMUM DC ANODE VOLTAGE	14 000	VOLTS
MAXIMUM DC GRID #4 VOLTAGE	-500 TO + 500	VOLTS
MAXIMUM DC GRID #2 VOLTAGE	450	VOLTS
MAXIMUM GRID #1 VOLTAGE:		
DC NEGATIVE-BIAS VALUE	125	VOLTS
DC POSITIVE-BIAS VALUE	0	VOLTS
POSITIVE-PEAK VALUE	2	VOLTS
MAXIMUM DC PEAK HEATER-CATHODE VOLTAGE:		
HEATER NEGATIVE WITH RESPECT TO CATHODE		
DURING WARM-UP PERIOD NOT TO EXCEED 15 SECONDS	410	VOLTS
AFTER EQUIPMENT WARM-UP PERIOD	180	VOLTS
HEATER POSITIVE WITH RESPECT TO CATHODE	180	VOLTS

TYPICAL OPERATING CONDITIONS AND CHARACTERISTICS

DC ANODE VOLTAGE	12 000	VOLTS
DC GRID #4 VOLTAGE ^A	-48 TO + 264	VOLTS
DC GRID #2 VOLTAGE	300	VOLTS
DC GRID #1 VOLTAGE ^B	-28 TO -72	VOLTS
DC ION TRAP MAGNET STANDARD COIL #111 (APPROX.)	70	MA.

CIRCUIT VALUES

MAXIMUM GRID #1 CIRCUIT RESISTANCE	1.5	MEG OHMS
------------------------------------	-----	----------

^A WITH THE COMBINED GRID #1 BIAS VOLTAGE AND VIDEO-SIGNAL VOLTAGE ADJUSTED TO GIVE AN ANODE #2 CURRENT OF 100 MICROAMPERES ON A 11 1/4" BY 8 3/8" PICTURE SIZE.

^B VISUAL EXTINCTION OF FOCUSED RASTER.

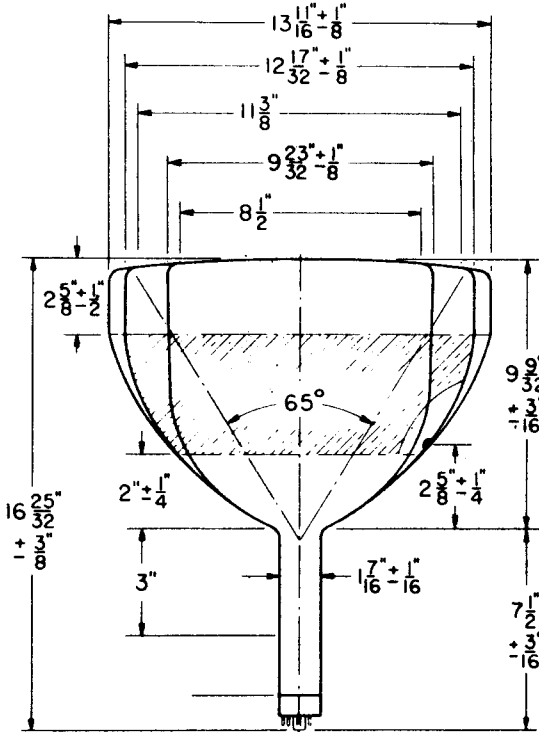
CONTINUED ON FOLLOWING PAGE

TUNG-SOL

CONTINUED FROM PRECEDING PAGE

MECHANICAL DATA

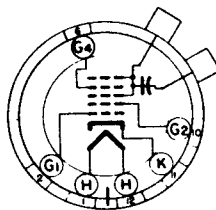
OVERALL LENGTH	16 25/32 ± 3/8	INCHES
GREATEST DIMENSIONS OF BULB:		
DIAGONAL	13 11/16	INCHES
WIDTH	12 17/32 ± 1/8	INCHES
HEIGHT	9 23/32 ± 1/8	INCHES
MINIMUM USEFUL SCREEN DIMENSIONS:		
WIDTH	11 3/8	INCHES
HEIGHT	8 1/2	INCHES
BULB CONTACT	RECESSED SMALL CAVITY CAP	J1-21
BASE	SMALL SHELL DUODECAL 6 PIN	B6-63
BASING		42L
BULB CONTACT ALIGNMENT		
J1-21 CONTACT ALIGNS WITH PIN POSITION #6 ± 30 DEGREES		



PIN CONNECTIONS

- PIN 1 - HEATER
- PIN 2 - GRID #1
- PIN 6 - GRID #4
- PIN 10 - GRID #2
- PIN 11 - CATHODE

- PIN 12 - HEATER
- ANODE CAP



BOTTOM VIEW