

TUNG-SOL**CATHODE RAY**

THE 21BAP4 IS A DIRECT VIEW PICTURE TUBE DESIGNED FOR TELEVISION APPLICATIONS. ITS FEATURES INCLUDE:

ELECTROSTATIC FOCUS	ALUMINIZED SCREEN
MAGNETIC DEFLECTION	GRAY FILTER FACEPLATE
UNIPOTENTIAL CATHODE	19 1/8" X 15" RASTER SIZE
RECTANGULAR GLASS CONSTRUCTION	EXTERNAL CONDUCTIVE COATING
DOES NOT REQUIRE ION TRAP MAGNET	

ELECTRICAL DATA

	ELECTROSTATIC	MAGNETIC
FOCUSING METHOD		
DEFLECTING METHOD		
DEFLECTION ANGLE (APPROX.):		
HORIZONTAL	85	DEGREES
VERTICAL	68	DEGREES
DIAGONAL	90	DEGREES
DIRECT INTERELECTRODE CAPACITANCES (APPROX.):		
CATHODE TO ALL OTHER ELECTRODES	5	$\mu\mu\text{f}$
GRID #1 TO ALL OTHER ELECTRODES	6	$\mu\mu\text{f}$
MAXIMUM EXTERNAL CONDUCTIVE COATING TO ANODE	750	$\mu\mu\text{f}$
MINIMUM EXTERNAL CONDUCTIVE COATING TO ANODE	500	$\mu\mu\text{f}$

OPTICAL DATA

	SULFIDE TYPE	P-4
PHOSPHOR NUMBER		
FLUORESCENT COLOR		WHITE
PHOSPHORESCENT COLOR		WHITE
PERSISTENCE		SHORT
FACEPLATE TRANSMISSION AT CENTER (APPROX.):	71	PERCENT

RATINGS

INTERPRETED ACCORDING TO DESIGN CENTER SYSTEM

HEATER VOLTAGE	6.3	VOLTS
HEATER CURRENT	0.6 \pm 10%	AMP.
MAXIMUM DC ANODE VOLTAGE	20 000	VOLTS
MAXIMUM DC GRID #4 VOLTAGE	-500 TO +1000	VOLTS
MAXIMUM DC GRID #2 VOLTAGE	500	VOLTS
MAXIMUM GRID #1 VOLTAGE:		
DC NEGATIVE-BIAS VALUE	125	VOLTS
DC POSITIVE-BIAS VALUE	0	VOLTS
POSITIVE-PEAK VALUE	2	VOLTS
MAXIMUM DC PEAK HEATER-CATHODE VOLTAGE:		
HEATER NEGATIVE WITH RESPECT TO CATHODE		
DURING WARM-UP PERIOD NOT TO EXCEED 15 SECONDS	410	VOLTS
AFTER EQUIPMENT WARM-UP PERIOD	180	VOLTS
HEATER POSITIVE WITH RESPECT TO CATHODE	180	VOLTS
MAXIMUM GRID #1 CIRCUIT RESISTANCE	1.5	MEG OHMS

TYPICAL OPERATING CONDITIONS AND CHARACTERISTICS

DC ANODE VOLTAGE*	16 000	VOLTS
DC GRID #4 VOLTAGE	0 TO 500	VOLTS
DC GRID #2 VOLTAGE	300	VOLTS
DC GRID #1 VOLTAGE ^A	-28 TO -72	VOLTS
DC GRID #4 CURRENT	-15 TO +25	μAMP

* BRIGHTNESS AND FOCUS QUALITY DECREASE WITH DECREASING ANODE VOLTAGE. IN GENERAL THE ANODE VOLTAGE SHOULD NOT BE LESS THAN 14,000 VOLTS.

^A VISUAL EXTINGUISHMENT OF FOCUSED RASTER.

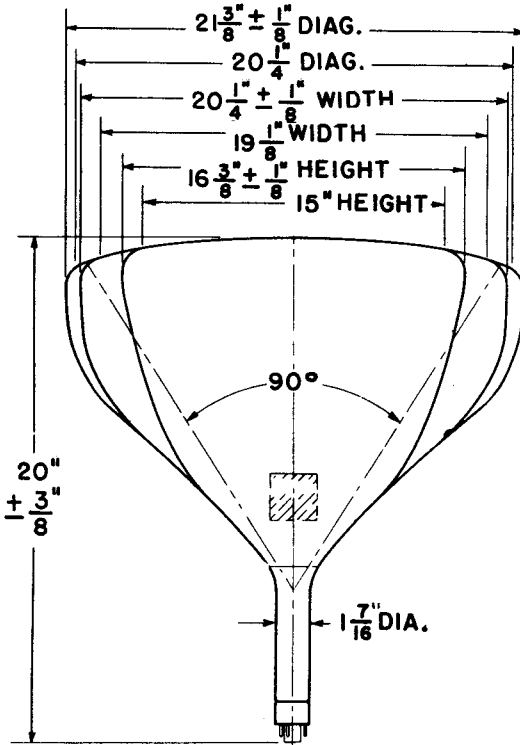
CONTINUED ON FOLLOWING PAGE

TUNG-SOL

CONTINUED FROM PRECEDING PAGE

MECHANICAL DATA

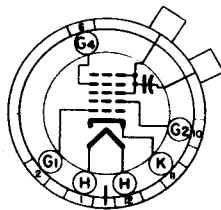
OVERALL LENGTH	20 ± 3/8	INCHES
GREATEST DIMENSIONS OF BULB:		
DIAGONAL	21 3/8 ± 1/8	INCHES
WIDTH	20 1/4 ± 1/8	INCHES
HEIGHT	20 1/4 ± 1/8	INCHES
MIN. USEFUL SCREEN DIMENSIONS:	16 3/8 ± 1/8	INCHES
DIAGONAL	20 1/4	INCHES
WIDTH	19 1/8	INCHES
HEIGHT	15	INCHES
BULB CONTACT	RECESSED SMALL CAVITY CAP	J4-21
BASE	SMALL SHELL DUODECAL 6 PIN	B6-63
BASING		42L
BULB CONTACT ALIGNMENT		
J4-21 CONTACT ALIGNS WITH PIN POSITION #6 ± 30 DEGREES		



- PIN 1 - HEATER
- PIN 2 - GRID #1
- PIN 6 - GRID #4
- PIN 10 - GRID #2
- PIN 11 - CATHODE

PIN CONNECTIONS

- PIN 12 - HEATER
- ANODE CAP:
- GRID NO. 3
- GRID NO. 5



BOTTOM VIEW