

SUBMINIATURE VARIABLE-MU R.F. PENTODE

DF63

Subminiature variable-mu r.f. pentode suitable for battery operated equipment.

FILAMENT

Suitable for d.c. operation only

V_f	1.25	V
I_f	25	mA

MOUNTING POSITION

Any

Note – Direct soldered connections to the leads of this valve must be at least 5mm from the seal and any bending of the valve leads must be at least 1.5mm from the seal.

CAPACITANCES

C_{a-g1}	<0.01	pF
C_{1n}	3.0	pF
C_{out}	3.5	pF

CHARACTERISTICS

V_a	67.5	V
V_{g2}	67.5	V
V_{g1}	0	V
I_a	1.7	mA
I_{g2}	490	μA
g_m	850	$\mu A/V$
r_a	1.6	$M\Omega$
V_{g1} (for 100 : 1 reduction in g_m)	-14	V
$+V_{g1}$ min. ($I_{g1} = +0.3\mu A$)	0	V

LIMITING VALUES

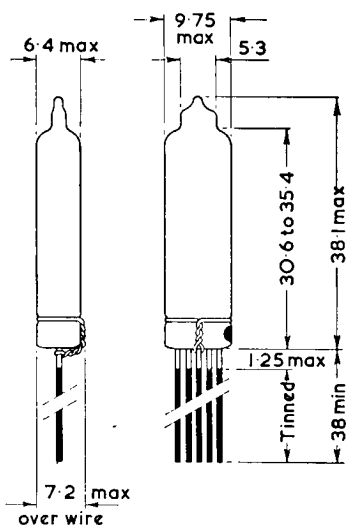
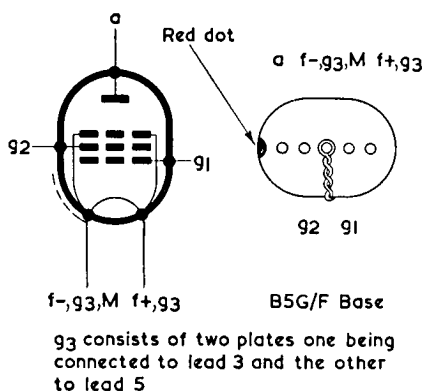
V_a max.	90	V
$V_{g2(b)}$ max.	90	V
V_{g2} max.	67.5	V
I_k max.	2.5	mA

DF63

SUBMINIATURE VARIABLE-MU R.F. PENTODE

Subminiature variable-mu r.f. pentode suitable for battery operated equipment.

2926



All dimensions in mm