



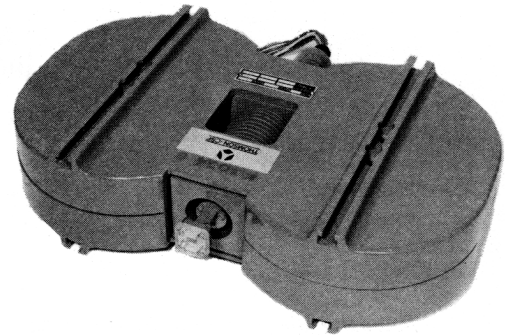
F4034B CARCINOTRON

The F4034B "O" type carcinotron is a backward wave oscillator delivering an output power of 25 mW (minimum) to 250 mW over the range 23.5 to 37.5 GHz.

Amplitude modulation can be achieved by anode voltage variation. Frequency modulation is obtained by varying the line voltage. The frequency is independent of the load up to a VSWR of 3 : 1.

An integral permanent magnet insures focusing, forced air cooling insures operation in a wide temperature range.

This "O" type carcinotron, which features excellent signal to noise ratio is particularly suitable for wide frequency sweep wobbled generator, wide dispersion spectrum analyser, radar panoramic receiver, frequency agile radar (master and local oscillator).



GENERAL CHARACTERISTICS

Electrical (1)

	min.	max.	
Heater voltage	6.3		V
Heater current	0.7	1.5	A
Grid voltage	-250	-	V
Anode voltage (2)	-	400	V
Anode current	-1	+1	mA
Line voltage at 23.5 GHz	700	-	V
at 37.5 GHz	-	3250	V
Line current	-	35	mA
- Line frequency modulation			
Modulation coefficient at 23.5 GHz	-	12.5	MHz/V
at 37.5 GHz	2.5	-	MHz/V
- Anode frequency modulation			
Modulation coefficient at 23.5 GHz	-	1.5	MHz/V
at 37.5 GHz	0.1	-	MHz/V
- Anode amplitude modulation			
Anode voltage variation for an output power			
variation of 6 dB - at 23.5 GHz	-	200	V
- at 37.5 GHz	30	-	V
- Power variation			
in the range 23.5 to 37.5 GHz	-	10	dB
in any 0.2 GHz bandwidth	-	0.6	dB
Grid voltage for cut-off	-250	-	V
- Interelectrode capacitances			
Anode to all other electrodes	-	30	pF
Line to all other electrodes	-	30	pF
Signal to noise ratio between 1 and 10 MHz	40	-	dB

(1) All voltages are referred to the cathode.

(2) Anode or accelerator. Line or cathode may be connected to ground, both are isolated from the focusing device.



Mechanical

Operating position	any
RF connections	RG 96/U waveguide UG 599/U flange
Weight	15 kg
Focusing	permanent magnet
Power supply connections	see drawing

ABSOLUTE RATINGS
(non simultaneous values)

	min.	max.		min.	max.	
Heater voltage	6.1	6.5	V	Anode voltage	500	V
Heater surge current	-	2.5	A	Anode current	+2	mA
Warm-up time	-	2	mn	Line voltage	2350	V
Grid voltage	-300	-	V	Line current	40	mA

Cooling

	min.	max.	
Temperature at the measurement point	-	150	°C
Air flow	-	10	dm ³ /s
Air pressure	-	2.5	millibar
Flow direction	(1)	-	

Environmental conditions

	min.	max.	
Vibrations from 10 to 50 Hz	-	1	mm
Acceleration at 50 Hz	-	1	g
Shocks - acceleration	-	15	g
- duration	-	11	ms
Ambient temperature			
- during operation	-40	+100	°C
- during storage	-50	+110	°C

TYPICAL OPERATION

Heater voltage	6.3	V	Anode voltage	250	V
Heater current	0.8	A	Anode current	0.05	mA
Frequency	37	GHz	Grid voltage	0	V
Line voltage	3125	V	Output power	128	mW
Line current	31.7	mA			

OPERATING INSTRUCTIONS

Application of voltages

Voltages should be applied in the following order : Heater, Grid, Line, Anode.
They should be removed in the reverse order from start up.

Supply

The supply should feature the following security devices :

Warm-up timing,

Power supply protection against arcing or short circuit which may occur in the tube.

Protection against applying voltages before starting air flow.

A safety device should prevent anode voltage from exceeding line voltage, even in case of modulation. If grid and anode power supplies present high internal resistance, a 50 kΩ resistance should be connected in parallel.

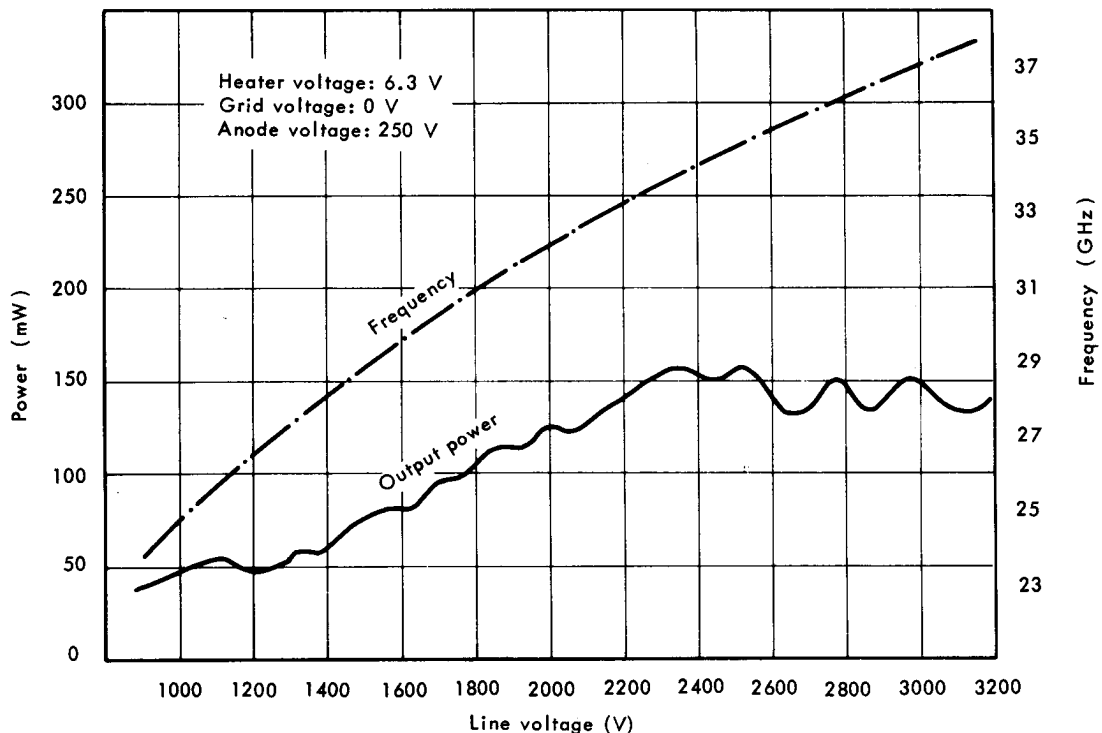
Permanent magnet

The tube should be kept away from all magnetic materials, at least 10 cm, and 15 cm away from field generating devices.

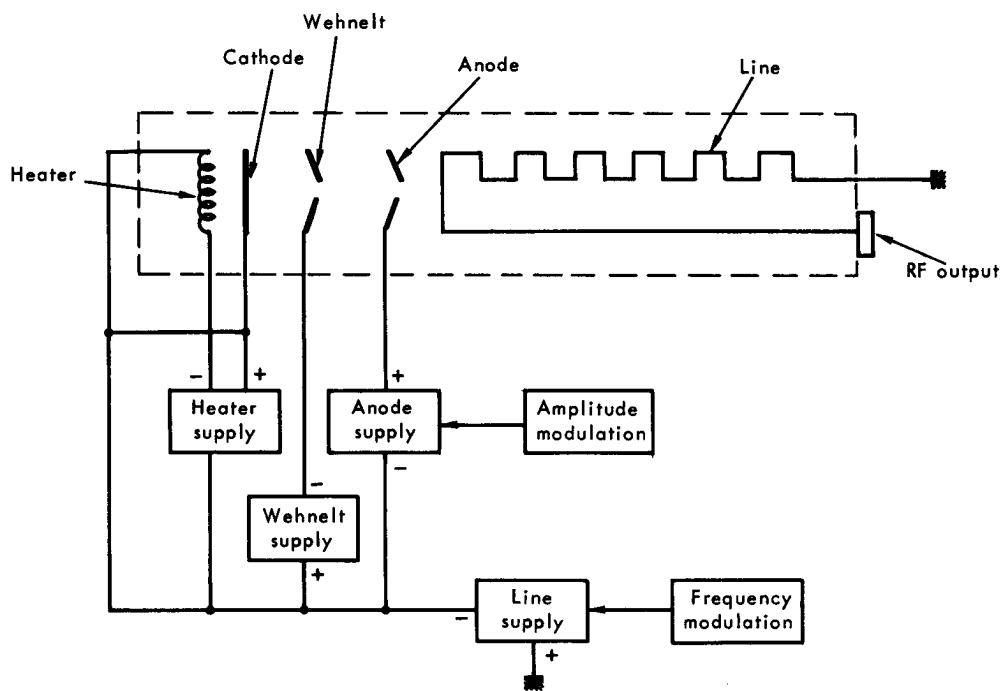
(1) T point indicated on drawing.



Characteristic curves

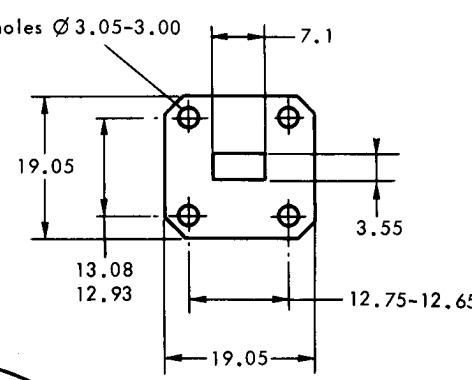
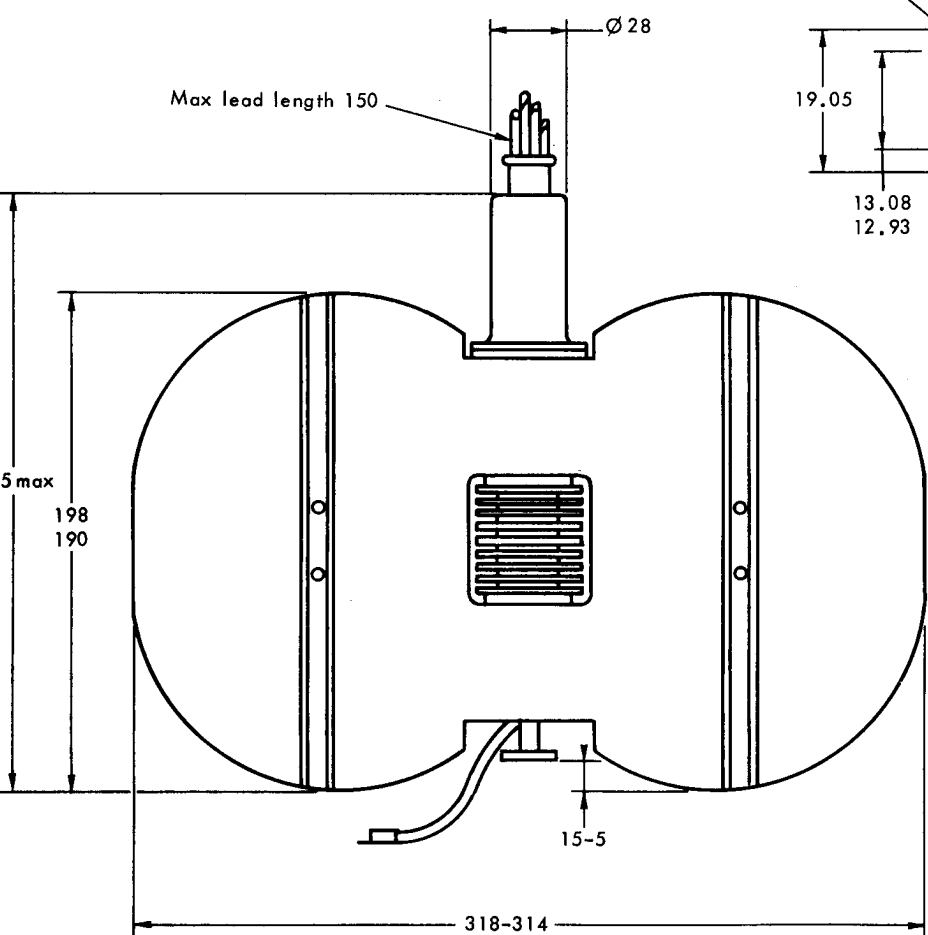
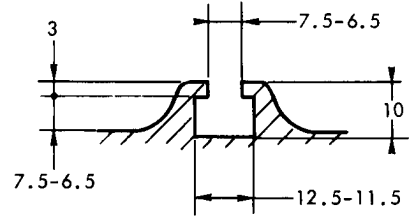
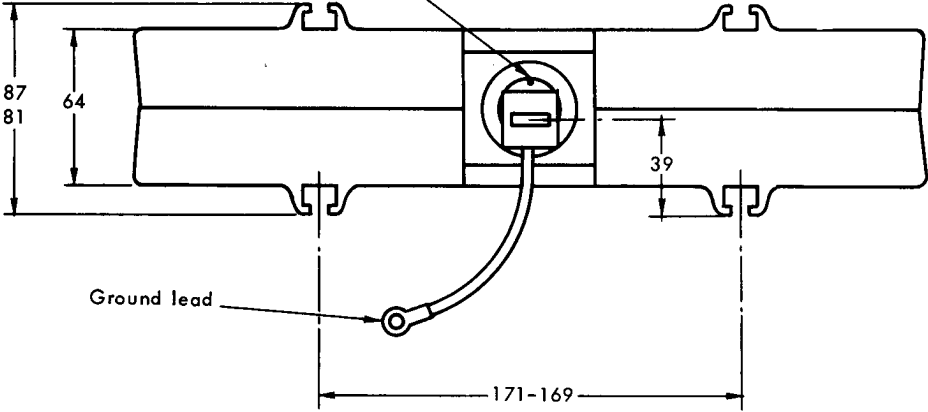
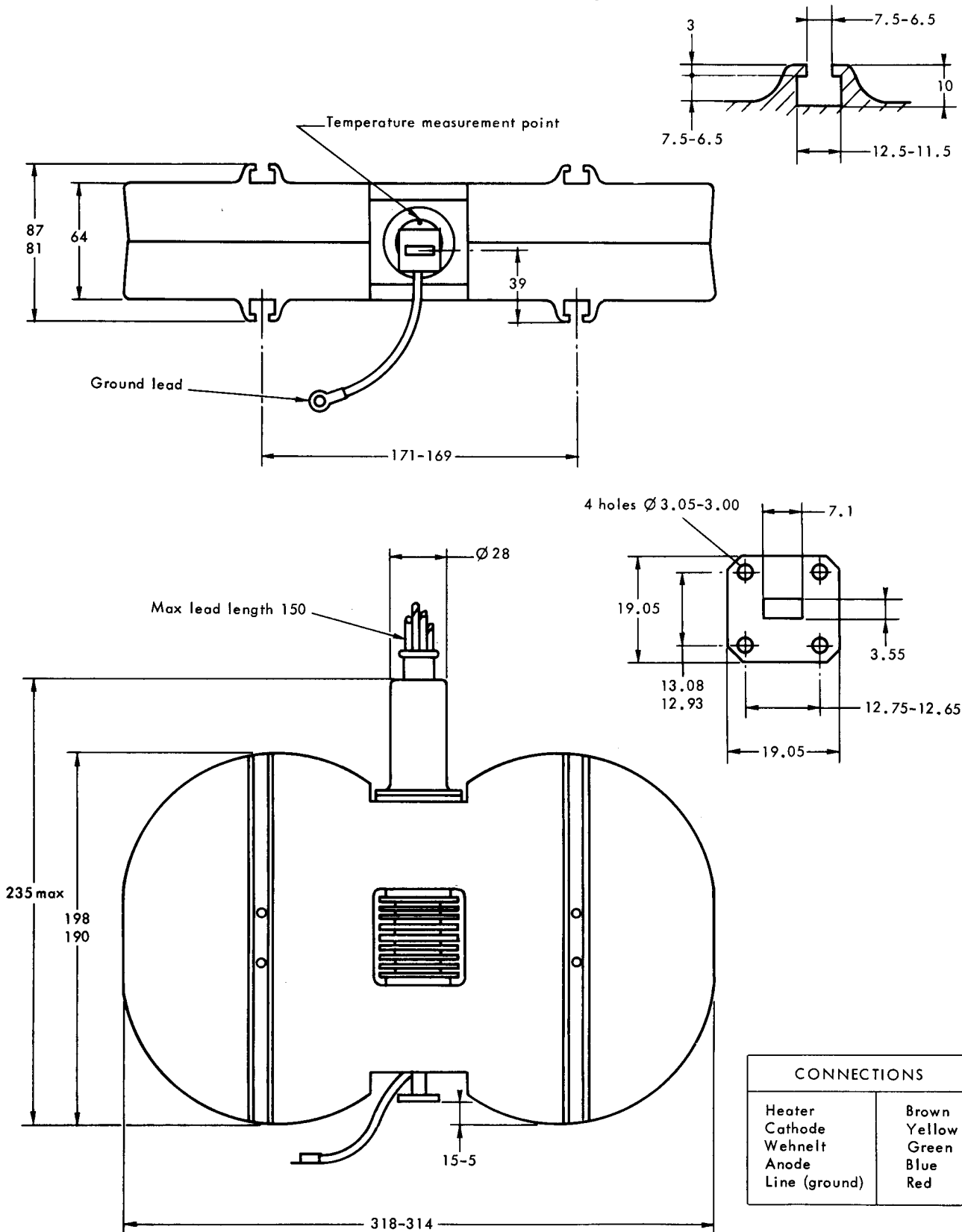


Supply diagram



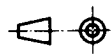


OUTLINE DRAWING



CONNECTIONS	
Heater	Brown
Cathode	Yellow
Wehnelt	Green
Anode	Blue
Line (ground)	Red

Dimensions in mm.



The line is electrically connected to the magnet and waveguide.