

TECHNICAL DATA

1B46

Sylvania

T E N T A T I V E

TYPE 1B46

Miniature Voltage Regulator

Glow Discharge

PHYSICAL SPECIFICATIONS

Cathode: Cold

Base: Bayonet Candelabra,
Double Contact

Bulb: T-4, Metal Shell

Dimensions: As per Outline

Mounting Position: Any

BASE PIN CONNECTIONS

As Per Outline

Ratings and Characteristics

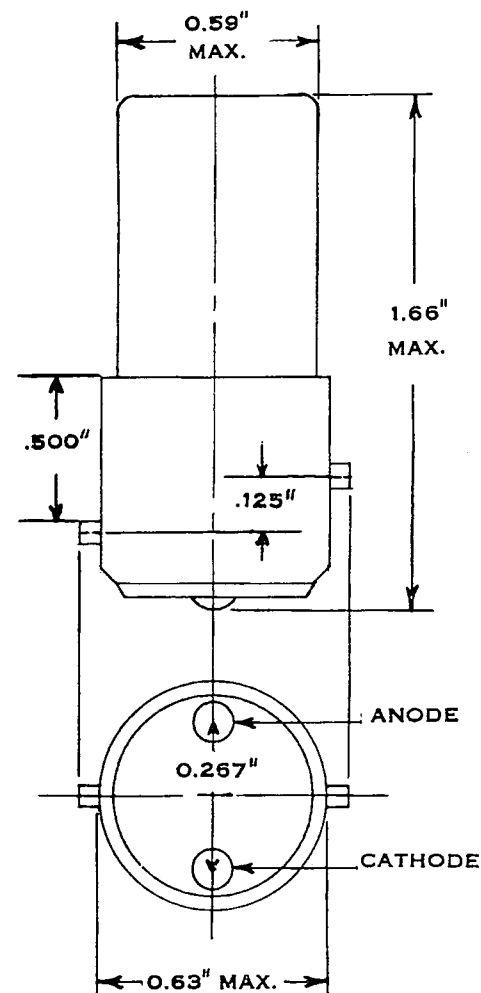
Maximum Starting Voltage	225	Vdc
Maximum Operating Voltage	85	Vdc
Minimum Operating Voltage	79	Vdc
Maximum Operating Current	2.0	mAdc
Minimum Operating Current	1.0	mAdc
Maximum Regulation*	3.0	Vdc

Typical Operating Conditions and Characteristics

Anode Supply Voltage	250	Vdc
Operating Current	1.0 - 2.0	mAdc
Operating Voltage (Approx.)	82	Vdc
Series Protective Resistance (Approx.)**	15,000	ohms

* Regulation is maximum voltage variation with tube operating within specified current range.

**Value shown is for a typical circuit. Sufficient resistance must always be used in series with the tube to limit the current through the tube to 2.0 mAdc under continuous (steady - state) operation.



from RMA release # 477, March 11, 1946

SYLVANIA ELECTRIC PRODUCTS INC.

25 January 1946