

September 5, 1947

## TYPE 4C36

original sponsor: Lewis Electronics  
final sponsor: RMA

## GENERAL CHARACTERISTICS

## ELECTRICAL

Filament	Thoriated Tungsten
Voltage	5.0 volts
Current	7.5 amps
Amplification Factor	29

## Direct Interelectrode Capacitances

Grid-Plate	3.0 mmf
Input, grid-filament	3.2 mmf
Output, plate-filament	0.4 mmf

Frequency for Maximum Ratings 60 Mcs

## MECHANICAL

Type of Cooling  
Convection (Maximum Ambient 60° C)Base. Jumbo 4-pin metal sleeve  
bayonet baseMaximum Overall Dimensions (See Outline Drawing)  
Length 7.5 in  
Diameter (bulb) 2.75 in

Base Connections

#1 mc  
#2 f  
#3 mc  
#4 f

## MAXIMUM RATINGS AND TYPICAL OPERATING CONDITIONS

(TENTATIVE)

## CLASS "B" AUDIO-FREQUENCY POWER AMPLIFIER, TWO TUBES

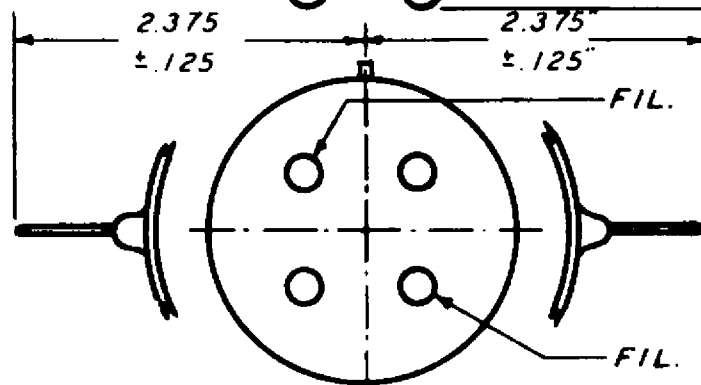
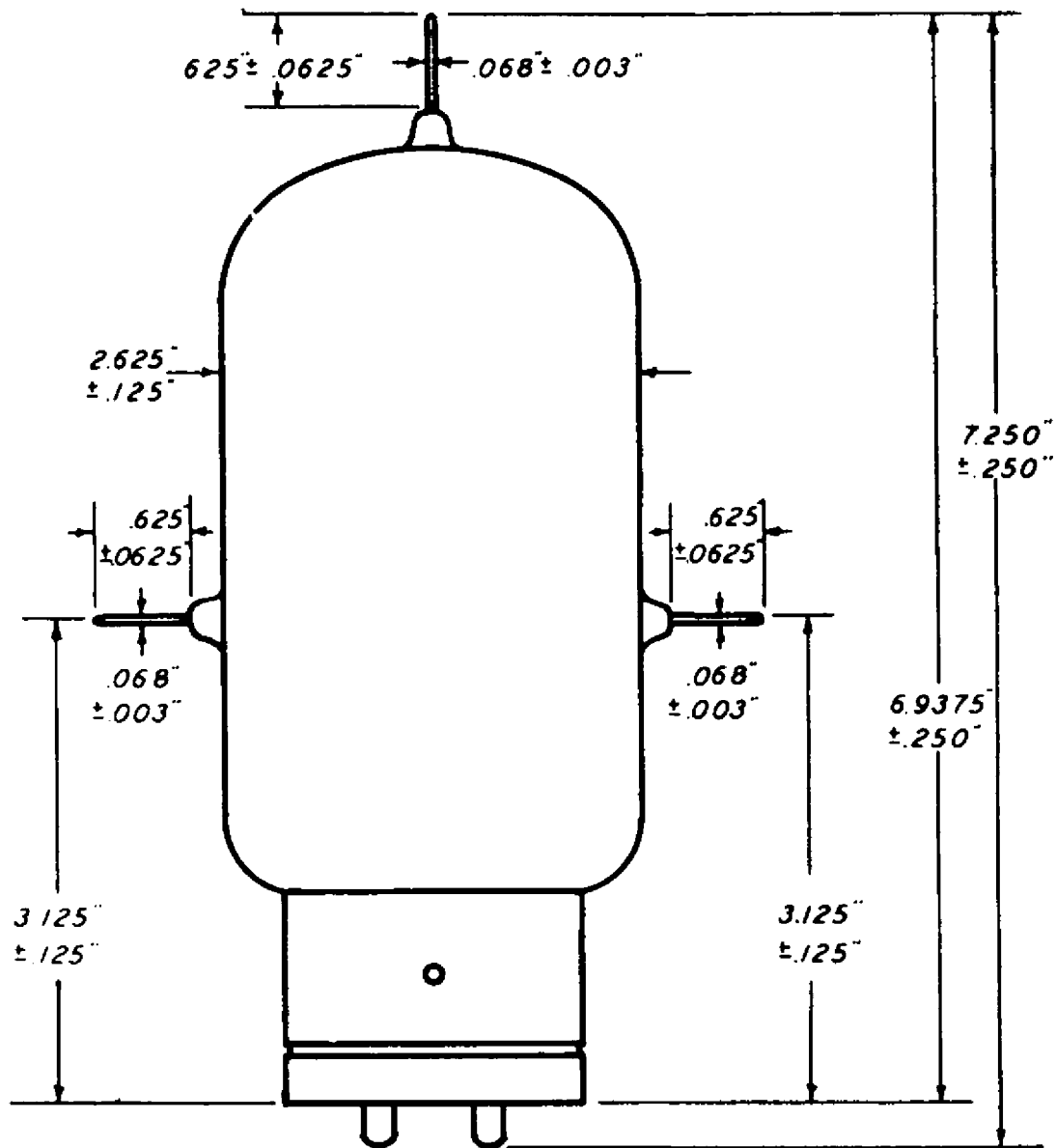
## CLASS "C" RADIO-FREQUENCY POWER AMPLIFIER &amp; OSCILLATOR

(Key down conditions per tube without modulation. Modulation, essentially negative, may be used if positive peak of A-F envelope does not exceed 115% of carrier conditions)

	Typical Operation	Max. Ratings		Typical Operation	Max. Ratings
D-C Plate Voltage	3000	3000 volts	D-C Plate Voltage	3000	4000 volts
Max. Sig. Plate Current (per tube)*		250 ma	D-C Grid Voltage	-250	-600 volts
D-C Max. Sig. Plate Input (per tube)*		350 watts	D-C Plate Current	200	250 ma
Plate Dissipation (per tube)*		125 watts	D-C Grid Current	40	60 ma
D-C Grid Voltage	-120	volts	Plate Input		700 watts
Peak A-F Grid Input Voltage	480	volts	Plate Dissipation		125 watts
Zero Sig. Plate Current	40	ma	Peak R-F Grid Input Voltage (approx.)	475	volts
Max. Sig. Plate Current	240	ma	Driving Power (approx.)	18	watts
Max. Sig. Driving Power (approx.)	5	watts	Plate Power Output	480	watts
Effective Load (plate to plate)	32000	ohms			
Max. Sig. Plate Power Output	500	watts			

\*(Averaged over any audio-frequency cycle)

# TYPE 4C36



BOTTOM VIEW A4-29  
JUMBO 4 PIN BASE