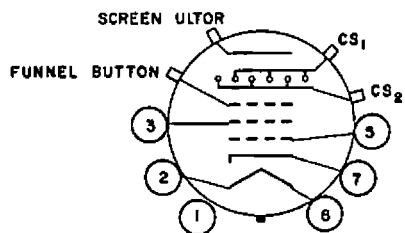
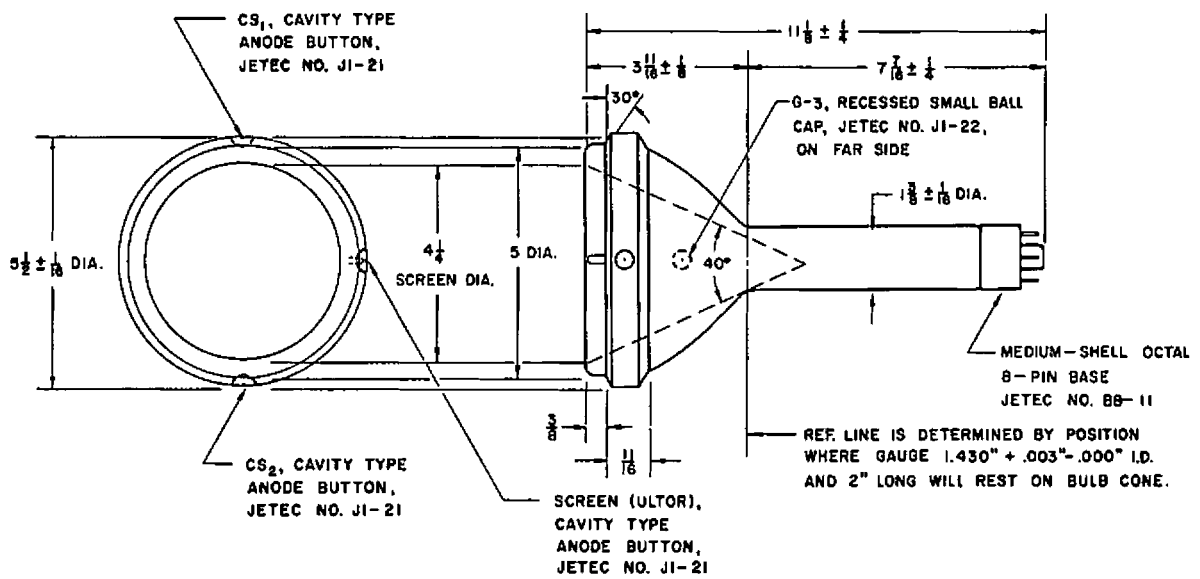


CHROMATRON® 5CGP29

LICENSED UNDER U.S. PATENTS OF CHROMATON TELEVISION LABORATORIES, INC.

DIMENSIONAL OUTLINE



BOTTOM VIEW

- | | |
|---|-----------------|
| PIN 2 - HEATER | PIN 7 - CATHODE |
| PIN 3 - GRID NO. 2 | PIN 8 - HEATER |
| PIN 5 - GRID NO. 1 | |
| CS ₁ , CS ₂ - COLOR SELECTORS | |