

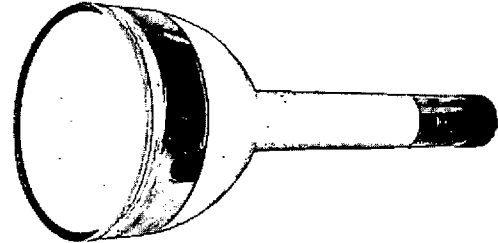
LITTON INDUSTRIES

ELECTRON TUBE DIVISION—ELECTRONIC DISPLAY LABORATORY

1476 66TH STREET • EMERYVILLE, CALIFORNIA • OLYMPIC 8-3831



5CJP11 HIGH DEFINITION CRT



3000 TV LINE RESOLUTION
FLAT FACE PLATE
METALLIZED HIGHLY ACTINIC PHOSPHOR SCREEN
ACTIVE SCREEN AREA 4¼" DIAMETER
SCREEN VOLTAGE UP TO 30,000 VOLTS

APPLICATIONS

This tube uses "micro-selected" P-11 phosphor, and is especially designed for photographic applications such as side looking radar, transparency reproduction, and high definition TV recording. With other specialized phosphors the same generic tube may be used as a very high definition flying spot scanner, monitor, and radar type CRT.

DATA

GENERAL

Heater voltage (AC or DC) 6.3 volts
Heater current 0.6 amperes
Direct Interelectrode Capacitances:
Grid # 1 to all other electrodes 8 uuf
Cathode to all other electrodes 5 uuf
Phosphor Screen:
Aluminized, controlled particle size P-11
Fluorescence blue
Phosphorescence blue
Decay Rate fast
Focusing Method Magnetic
Deflection Method Magnetic
Deflection Angle 40°

Overall Length 14¾" ± ⅜"
Bulb Diameter, max. 5" ± ⅛"
Minimum Useful Screen Diameter 4¼"
Mounting Position Any
Cap — recessed small cavity (JETEC No. J1-21)
Base — small shell duodecal (JETEC No. B7-51)

*MAXIMUM RATINGS

Screen (ultor) voltage 27,000 DC
Grid # 2 voltage 700 DC
Grid # 1 voltage:
Negative bias value 200 DC
Positive bias value -1 DC
Positive peak value 0 volts
Peak heater — cathode voltages:
Heater negative with respect to cathode . . 150 DC
Heater positive with respect to cathode . . 150 DC
Focus coil current

*design-center values

TYPICAL OPERATION

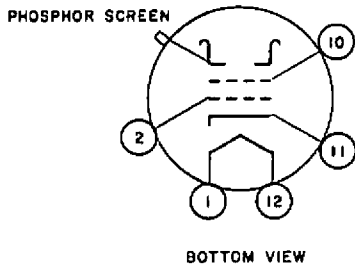
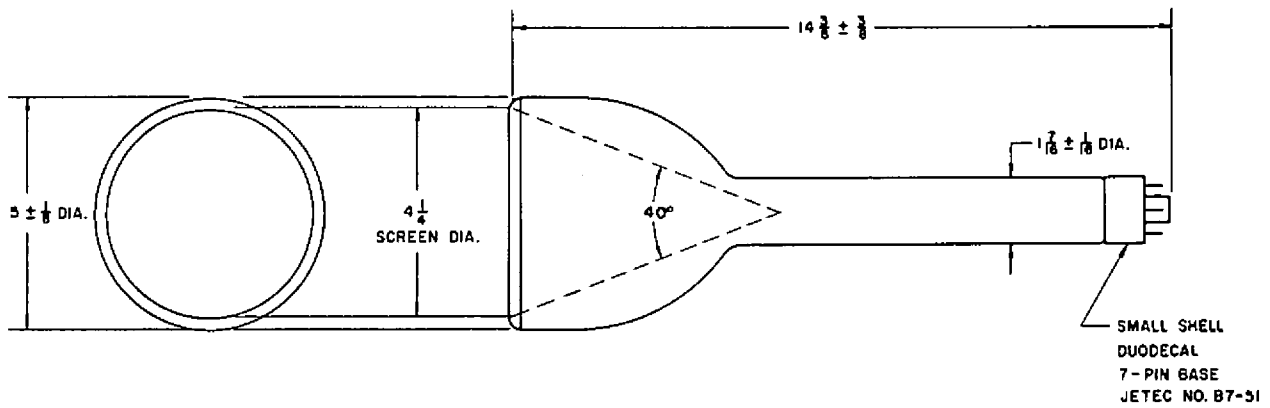
Ultor voltage 27,000 DC
Grid # 2 voltage 500 DC
Grid # 1 voltage for visual extinction
of focused spot -110 DC
Circuit values:
Grid # 1 circuit resistance 1.5 megs. max.

5CJP11

HIGH DEFINITION CRT

5CJP11 HIGH DEFINITION CRT

DIMENSIONAL OUTLINE



PIN 1 - HEATER
PIN 2 - GRID NO. 1
PIN 10 - GRID NO. 2

PIN 11 - CATHODE
PIN 12 - HEATER
BUTTON - ANODE