

GL-6858 - GL-6859

THYRATRONS

TRIODE TYPE

FILAMENTARY-TYPE CATHODE

NEGATIVE CONTROL CHARACTERISTICS

INERT-GAS AND MERCURY-VAPOR TYPE

DESCRIPTION AND RATING

These tubes are three-electrode inert-gas and mercury-vapor thyratrons with negative control characteristics for use in all control applications. They combine the desirable temperature characteristic of gas tubes, maximum ratings over a wide temperature range, with the long life of mercury tubes. Another feature useful in industrial applications is a filamentary-type cathode which requires only one minute to reach operating temperature.

The tubes are alike except for the type base used. The GL-6858 has a four pin base for conventional socket mounting; the GL-6859 has a bracket-type base for panel mounting.

TECHNICAL INFORMATION

GENERAL

Electrical

Cathode - Filamentary

Filament Voltage	2.5	Volts
Filament Current at 2.5 Volts	21 ± 2	Amperes
Heating Time	60	Seconds

Anode to Control-Grid Capacitance 4 uuf

Deionization Time, approximate	1000	Microseconds
Ionization Time, approximate	10	Microseconds
Anode Voltage Drop	12	Volts
Critical Grid Current	10	Microamperes

Control Characteristics

Anode Voltage	200	500	1250	Volts
Grid Voltage	-2.8	-4.0	-5.5	Volts

Mechanical

Mounting Position - Vertical, Base Down

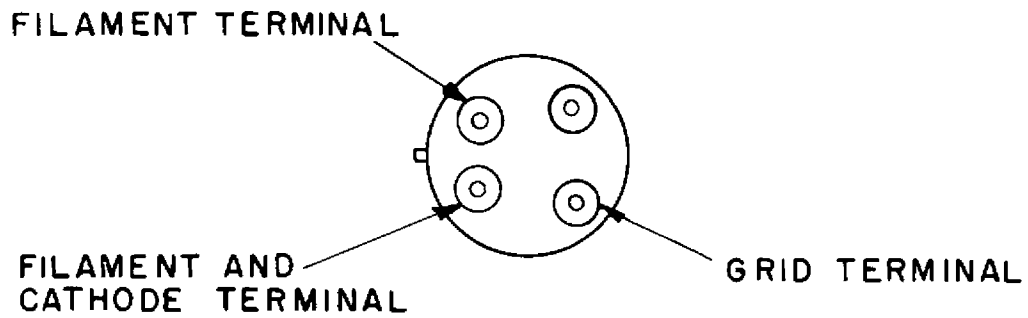
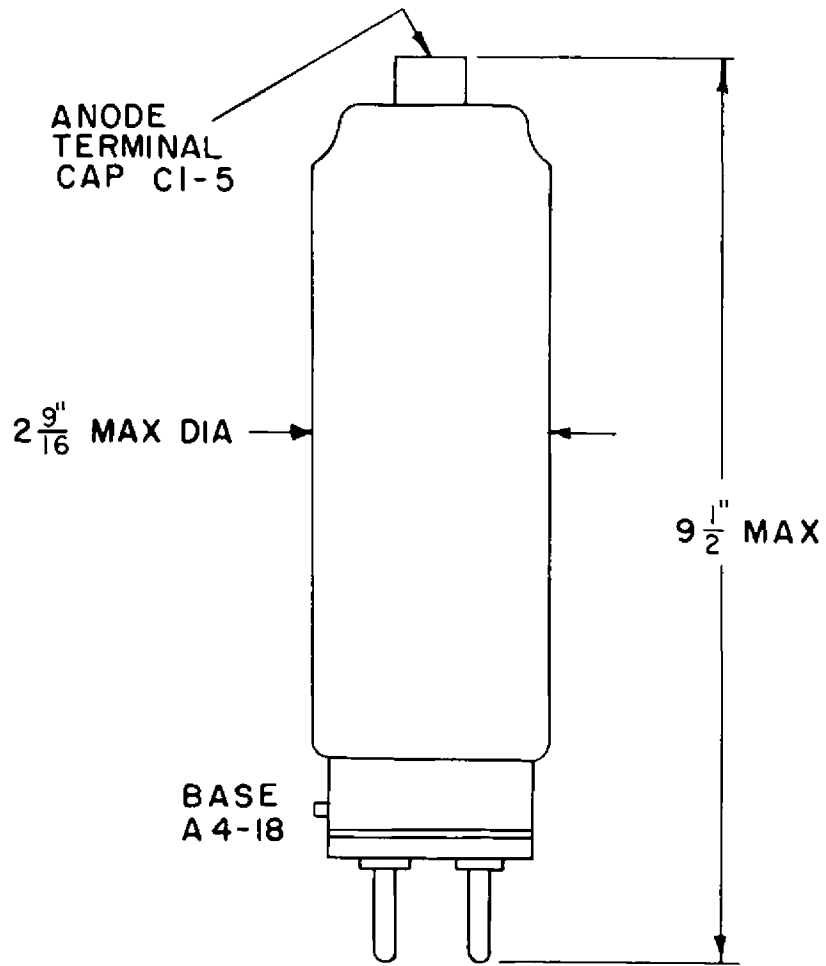
Equilibrium Condensed-Mercury Temperature

Rise Above Ambient	30	
Net Weight, maximum	9	Ounces

MAXIMUM RATINGS, Absolute Values

Maximum Peak Anode Voltage		
Inverse	1500	Volts
Forward	1500	Volts
Maximum Cathode Current		
Peak.	77	Amperes
Average	6.4	Amperes
Maximum Averaging Time.	15	Seconds
Fault	770	Amperes
Maximum Duration.	0.1	Seconds
Maximum Negative Control-Grid Voltage		
Before Conduction	500	Volts
During Conduction	10	Volts
Condensed-Mercury Temperature Limits.	-40 to +80	C

OUTLINE-GL-6858



OUTLINE-GL-6859

