



# XENON FILLED RECTIFIER

# 3B22

March 1959 · Page 1

Service Type CV3815

American Designation 3B22

## INTRODUCTION

The 3B22 is a hot cathode, full wave, Xenon filled Rectifier with maximum ratings of 725V peak inverse voltage and 4·0A peak current.

## GENERAL DATA

(See also Preamble to Rectifier Section of this Catalogue)

### Electrical

Filament	.. .. .	Oxide Coated
Filament Voltage	.. .. .	2·5 V
Filament Current	.. .. .	6·25 A Approx
Min Filament Heating Time	.. .. .	20 secs
Ambient Temperature Range	.. .. .	-55 to +75 °C
Max Peak Inverse Voltage	.. .. .	725 V
Max Anode Current (per anode):		
Peak	.. .. .	4·0 A
Mean (4·5 secs averaging time)	.. .. .	0·5 A
Under Fault Conditions (0·1 second Max duration)	.. .. .	60 A
Max Power Supply Frequency	.. .. .	250 c/s

### Mechanical

Overall Length..	.. .. .	6·00 inches (153 mm)	Max
Overall Diameter	.. .. .	1·66 inches (42·1 mm)	Max
Net Weight	.. .. .	3 ounces (90 gm)	Approx
Mounting Position	.. .. .	.. .. .	Any
Base	.. .. .	Medium UX4 with bayonet	
Cooling	.. .. .	.. .. .	Natural

**ENGLISH ELECTRIC VALVE CO. LTD.**  
CHELMSFORD ESSEX, ENGLAND TECHNICAL PUBLICATIONS

Printed in England



# XENON FILLED RECTIFIER

# 3B22

Page 2

## MAXIMUM OPERATING CONDITIONS

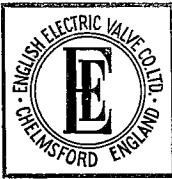
(Absolute Values—see Preamble)

### D.C. Output with choke input filter and delayed H.T. switching

Circuit	* Diagram	Peak Inverse Voltage (upto 250c/s) V	Anode Current in Amperes		Transformer Secondary Voltage (R.M.S.) V	Max D.C. Output	
			Peak	Mean‡		V	Amps
Single Phase Full Wave	A	725	4	0.5	255	230	1.0
Single Phase Full Wave Bridge	B	725	4	0.5	510	460	1.0
Three Phase Full Wave	D	725	4	0.5	295	690	1.5

\* For diagrams see Typical Rectifier Circuits for Choke Input Filters in the preamble to this section of the catalogue.

‡ Mean anode currents are averaged over any period of 4.5 seconds.



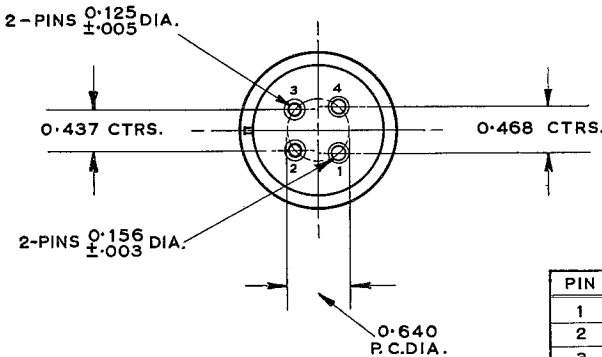
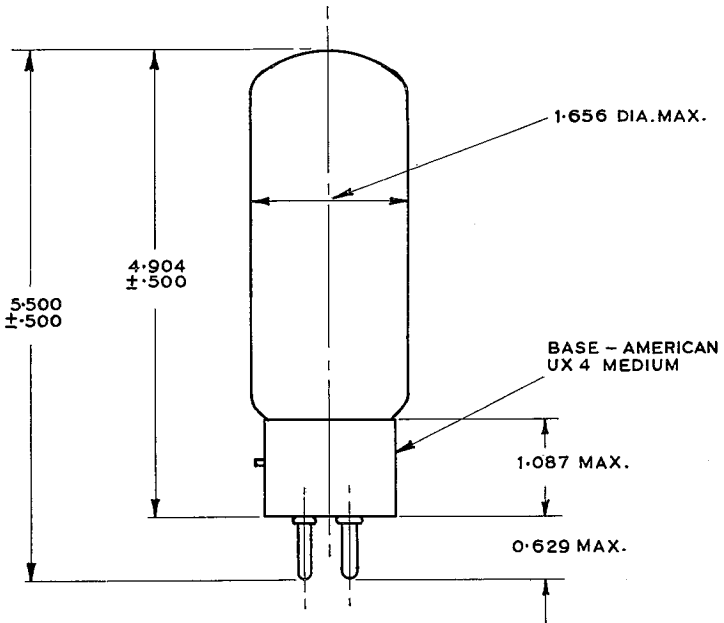
# XENON FILLED RECTIFIER

3 | 22

March 1959 Page 3

## OUTLINE

496



PIN	ELEMENT
1	FILAMENT
2	ANODE
3	ANODE
4	FILAMENT

ALL DIMENSIONS IN INCHES

**ENGLISH ELECTRIC VALVE CO. LTD.**  
CHELMSFORD ESSEX, ENGLAND TECHNICAL PUBLICATIONS

Printed in England