

HEINTZ & KAUFMAN LTD.
 South San Francisco
 California

TYPE HK-24G GAMMATRON
Very High Frequency Triode

PHYSICAL DATA

Plate Cylindrical Tantalum
 Grid Vertical Bar Tantalum
 Filament Thoriated Tungsten
 Max. Height 4-3/8 Inches
 Bulb Diameter 1-3/8 Inches
 Net Weight 1-1/4 Ounces
 Shipping Weight 1-1/4 Pounds

ELECTRICAL DATA

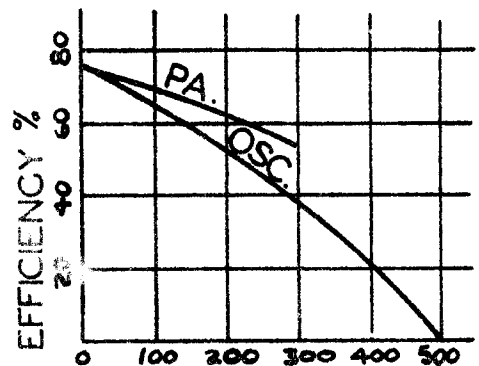
Filament Voltage 6.3 Volts
 Filament Current 3.0 Amps.
 Amplification Constant.. 25
 Max. Plate Dissipation.. 25 Watts
 Max. Plate Voltage 2000 Volts
 Max. Plate Current 75 M. A.
 Max. Grid Bias -500 Volts
 Max. Grid Current 25 M. A.
 Max. DC Plate Input 112 Watts

INTERELECTRODE CAPACITIES

Grid-Plate..... 1.6 mmfds
 Grid-Filament..... 1.8 mmfds
 Plate-Filament..... 0.2 mmfds

UHF PERFORMANCE

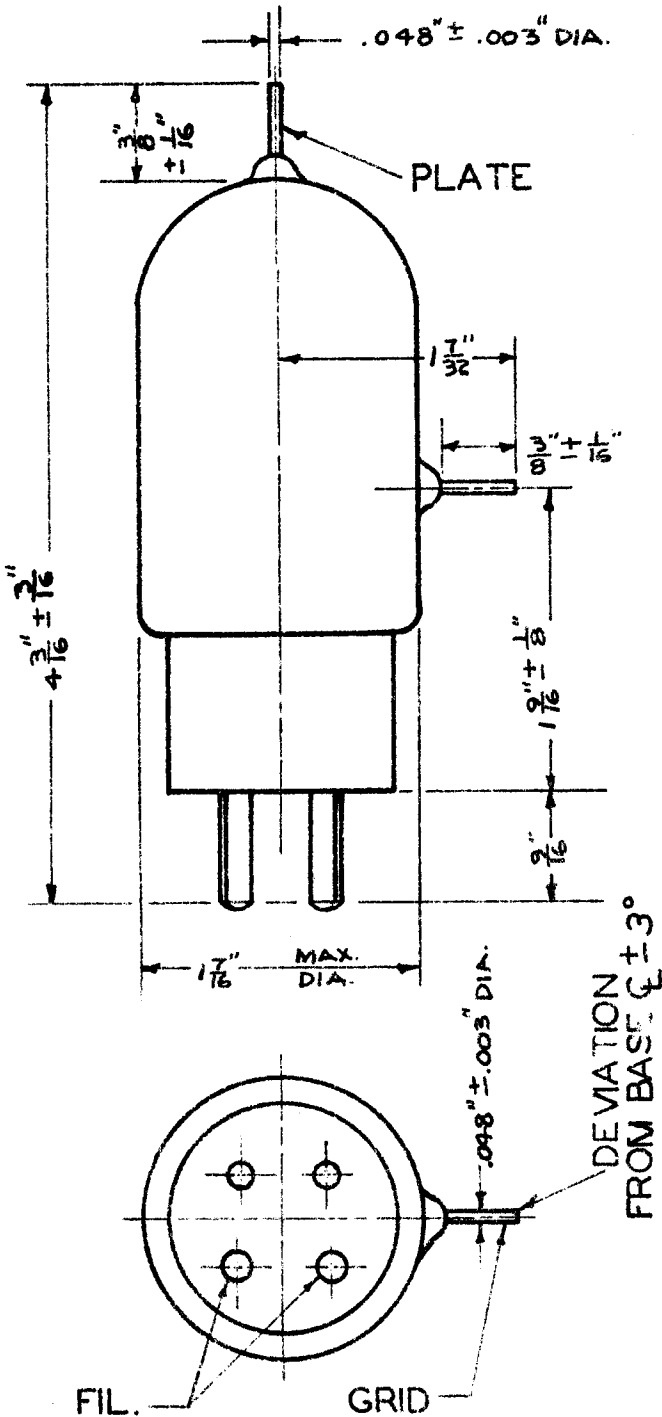
(Continuous Operation Conditions)



FREQUENCY MEGACYCLES

Max. Plate Input

	60	100	150	200	250	300 mc
RFPA Class "C" Unmodulated	112	88	80	70	61	55 Watts
RFPA Class "C" Plate Mod.	75	59	53	47	41	36 Watts



BOTTOM VIEW
 SMALL 4 - PIN BASE

Frequency
 RFPA Class "C" Unmodulated
 RFPA Class "C" Plate Mod.

For characteristic curves and operating conditions see data sheet for HK-24