

SCREEN

Metal backed

Phosphor types for separate fluorescent colours:

Red	Europium activated rare earth	
Green		Sulphide
Blue		Sulphide
Useful screen area (approx.)	1160	cm ²
Spacing between centres of adjacent phosphor dot triads (approx.)	0.63	mm
Light transmission (approx.)	54	%

FOCUSING

Electrostatic

DEFLECTION

Magnetic

Diagonal deflection angle	90	deg
Horizontal deflection angle	79	deg
Vertical deflection angle	62	deg

CONVERGENCE

Magnetic

CAPACITANCES (approx.)

c_{g-all} (each gun)	7.0	pF
$c_{(kR+kG+kB) - all}$	15	pF
c_{kR-all}	5.0	pF
c_{kG-all}	5.0	pF
c_{kB-all}	5.0	pF
c_{a2-all}	7.0	pF
$c_{a3+a4-M}$	1500 to 2000	pF
$c_{a3+a4-B}$	300	pF

EXTERNAL CONDUCTIVE COATING

This tube has an external conductive coating, M, which must be connected to chassis, and the capacitance of this coating to the final anode is used to provide smoothing for the e.h.t. supply. The electrical connection to this coating must be made within the area specified on the tube outline drawing.

REFERENCE LINE GAUGE

See page 10.

MOUNTING POSITION

Any. The tube socket should not be rigidly mounted but should have flexible leads and be allowed to move freely. The bottom circumference of the base shell will fall within a circle of 52.5mm diameter which is centred upon the perpendicular from the centre of the face.

MAGNETIC SHIELDING

Magnetic shielding must be provided to minimise the effects of extraneous magnetic fields, including the earth's magnetic field. This shielding, in the form of a metal shell extending 22cm over the cone of the tube measured from the centre of the screen, should be constructed of cold-rolled mild steel of 0.5mm minimum thickness. The magnetic shield should be connected to the outer conductive coating. See page 10 for physical dimensions.

RATINGS (DESIGN CENTRE SYSTEM)

V_{a3+a4} max. (absolute rating) (see notes 2 and 3)	27.5	kV
V_{a3+a4} min. (absolute rating) (see note 4)	20	kV
I_{a3+a4} (long term average max. for three guns: see note 5)	750	μ A
V_{a2} max. (see note 3)	6.0	kV
v_{a1} (pk) max.	1.0	kV
$-V_g$ max.	400	V
V_g max.	0	V
V_{h-k} max. (see note 6)		
Cathode positive		
d. c. max.	250	V
pk max.	300	V
Cathode negative		
d. c. max.	135	V
pk max.	180	V
R_{g-k} max.	750	k Ω

EQUIPMENT DESIGN VALUES (each gun if applicable)

Valid for $V_{a3+a4} = 20$ to 27.5 kV

V_{a2}	16.8 to 20% of V_{a3+a4}
V_{a1}	see page 14
V_g	see page 14

Variation in cut-off voltage between guns Minimum value is at least 65% of the maximum value.

I_{a2}	-15 to +15	μA
I_{a1}	-5 to +5	μA
I_g at $V_g = -150$	-5 to +5	μA

To produce white of colour	x	0.310	0.265	0.281	←
co-ordinates:	y	0.316	0.290	0.311	

Percentage of total anode current supplied by each gun (typical) ←

Red gun	43.5	27.9	32.2	%
Green gun	30.0	34.9	35.6	%
Blue gun	26.5	37.2	32.2	%

Ratio of cathode currents ←

Red gun to green gun	min.	1.05	0.60	0.65
	av.	1.45	0.80	0.90
	max.	2.00	1.10	1.25
Red gun to blue gun	min.	1.20	0.55	0.75
	av.	1.65	0.75	1.00
	max.	2.25	1.05	1.35

Maximum electron beam shift required from purity magnets ± 0.11 mm

Maximum required raster shift ± 12 mm

Maximum lateral convergence shift of blue beam with respect to the converged red and green beams ± 5.5 mm

Maximum radial convergence shift, excluding effects of dynamic convergence (each beam, see note 8) ± 8.0 mm

WEIGHT

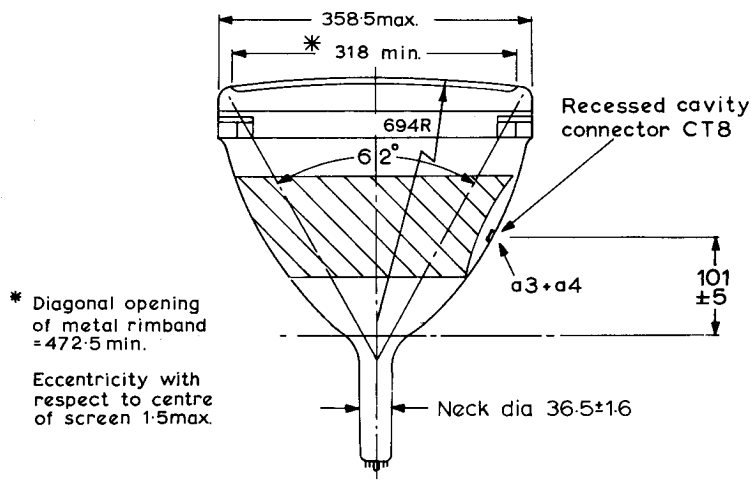
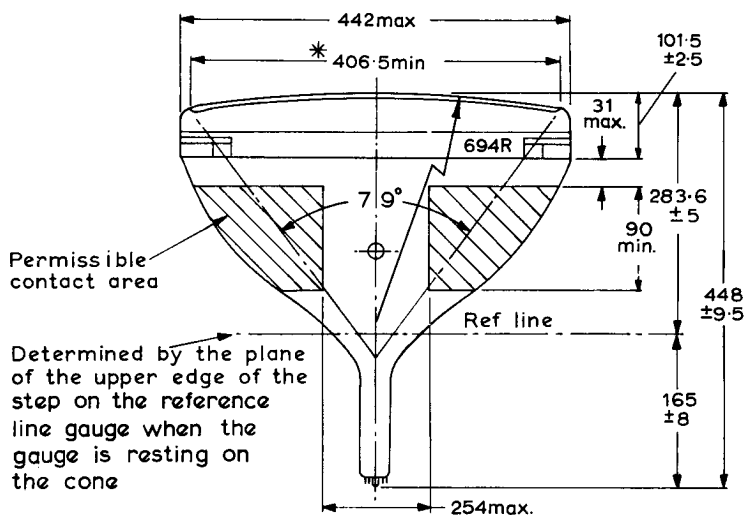
Tube alone (approx.) 11 kg

NOTES

1. For maximum cathode life, it is recommended that the heater supply be regulated at 6.3V.
2. The tube does not emit X-radiation above the internationally accepted maximum dosage rate if it is operated from an e.h.t. source supplying an absolute maximum voltage of 27.5kV at zero beam current and with an internal impedance $\geq 500k\Omega$.
3. Adequate precautions should be taken to ensure that the receiver is protected from damage which may be caused by a possible high voltage flashover within the cathode ray tube. In view of the high voltage on a2, adequate precautions should be taken to ensure freedom from flashover on all connections to this electrode.
4. Operation at lower voltages impairs brightness and resolution and may have a detrimental effect on colour purity.
5. The limiting value "long term average maximum current" of 750 μ A will be met provided a device is incorporated in the circuit to limit the short term average current to 1.1mA.
6. In order to avoid excessive hum the a. c. component of V_{h-k} should be as low as possible (< 20V r. m. s.).

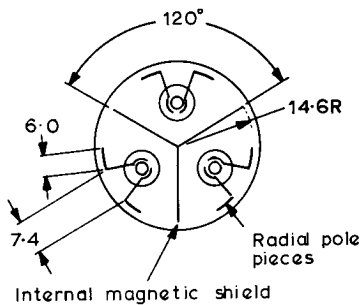
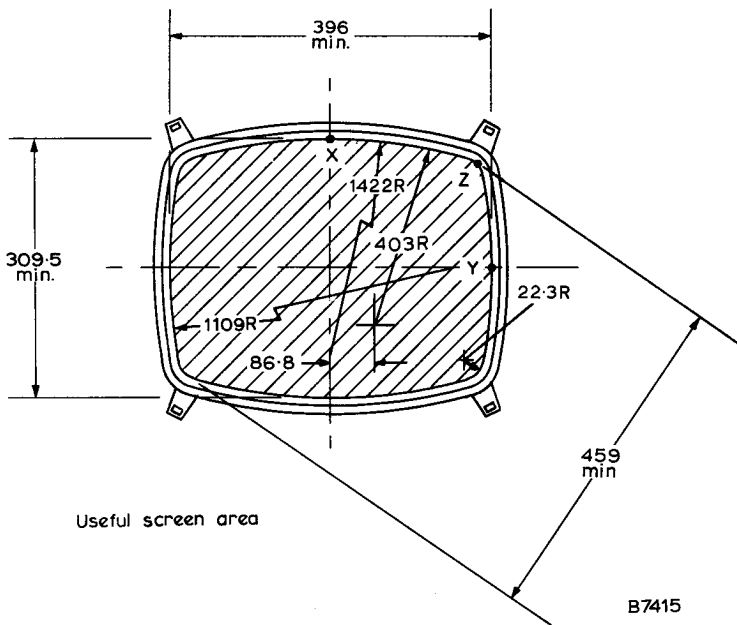
During an equipment warm-up period not exceeding 15 seconds v_{h-k} (pk) max. (cathode positive) is allowed to rise to 410V. Between 15 and 45 seconds after switching on a decrease in v_{h-k} (pk) max. (cathode positive) proportional with time from 410 to 250V is permissible.

7. The metal band (B) should be connected directly to the chassis in an a. c. receiver operating from an isolating transformer, or via a suitable leakage path in an a. c./d. c. receiver.
8. The dynamic convergence to be effected by currents of approximately parabolic waveshape synchronised with scanning.



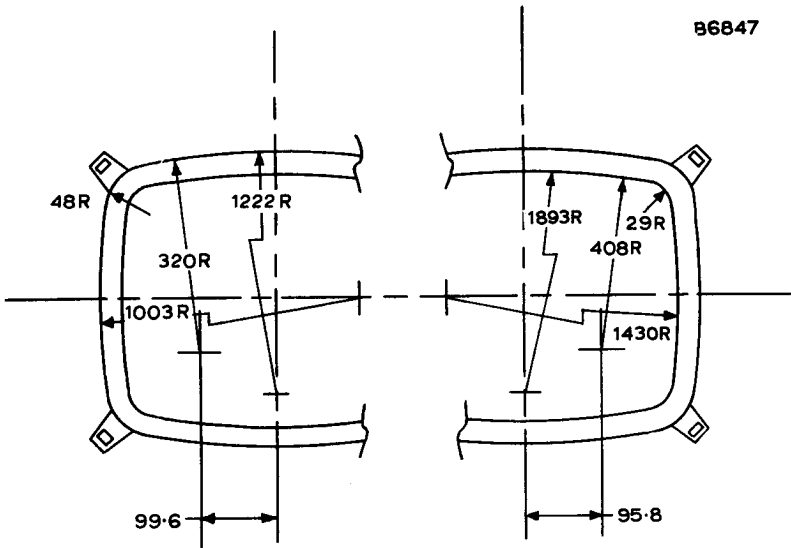
All dimensions in mm

[B7414]

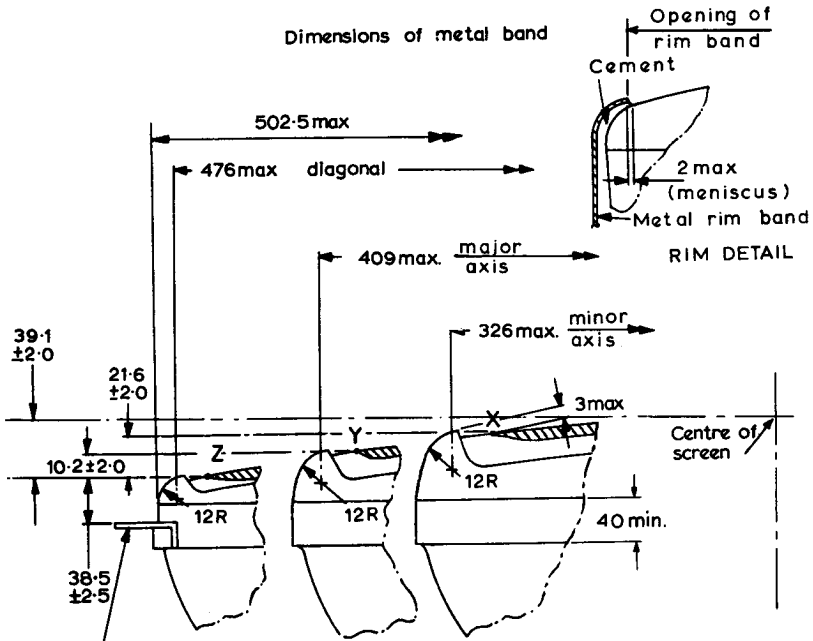


Internal magnetic shield
Location of radial convergence pole pieces viewed from screen end of guns

All dimensions in mm



Dimensions of metal band

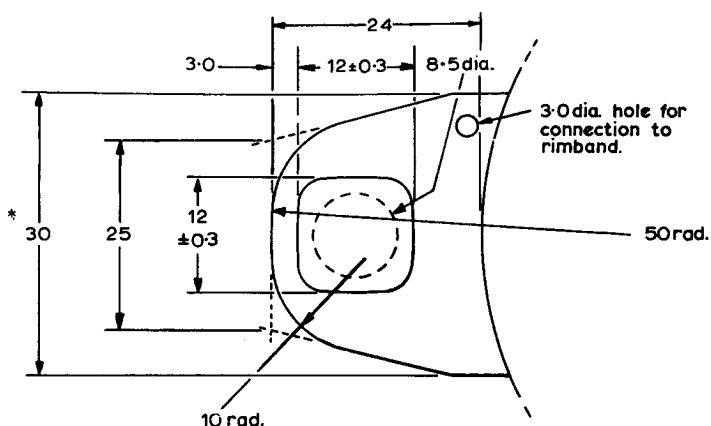


One of the four lugs may deviate 2mm max. from the plane through the three other lugs. This deviation is incorporated in the ± 2.5 tolerance.

All dimensions in mm

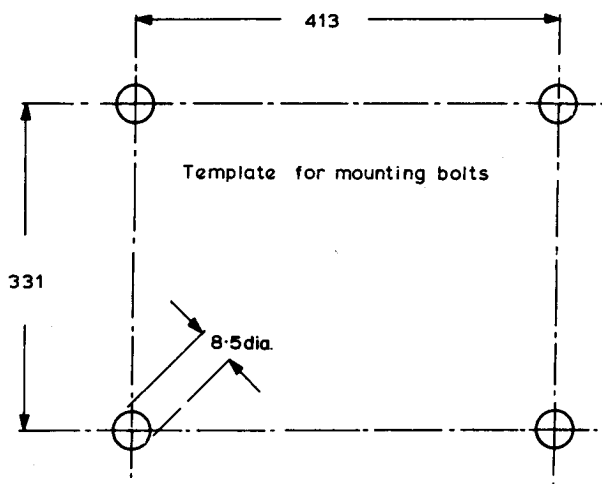
B7416





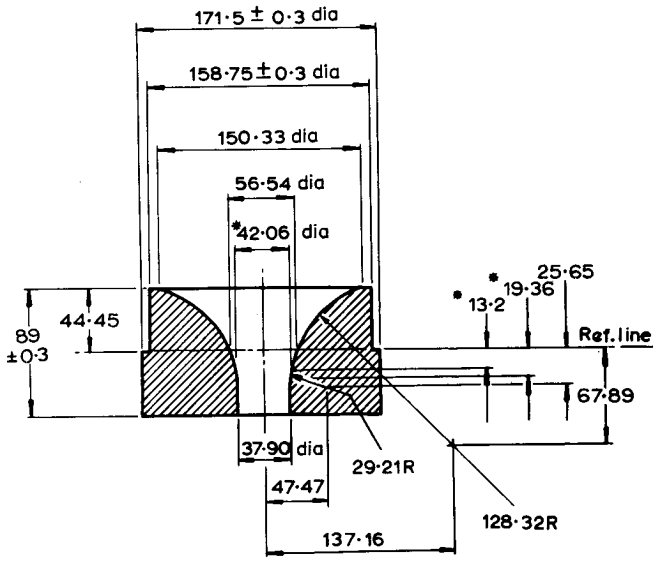
* Minimum space to be reserved for mounting lugs = 37mm.
Mounting lug

B7746



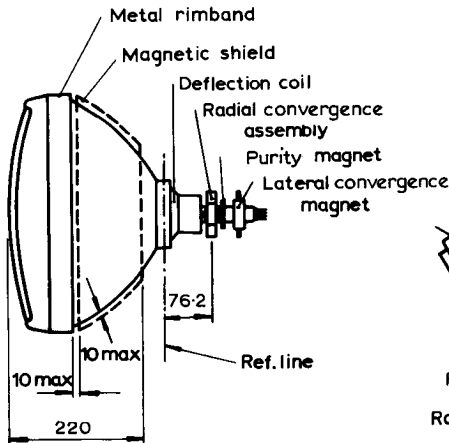
The bolts to be used for mounting the tube must be within the circles of 8,5mm diameter shown in the template drawing.

All dimensions in mm

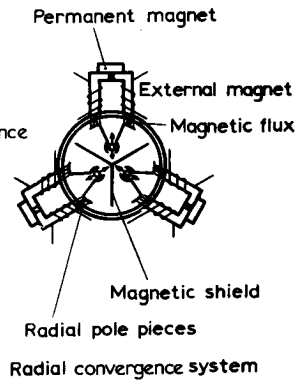


Reference line gauge

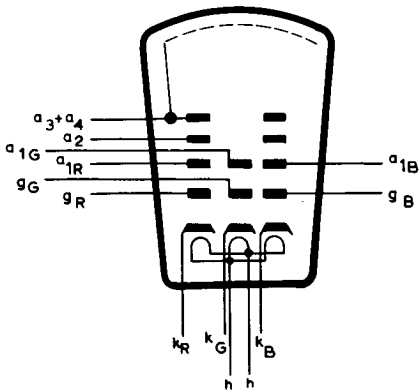
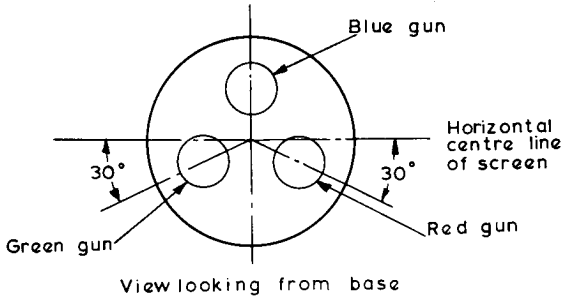
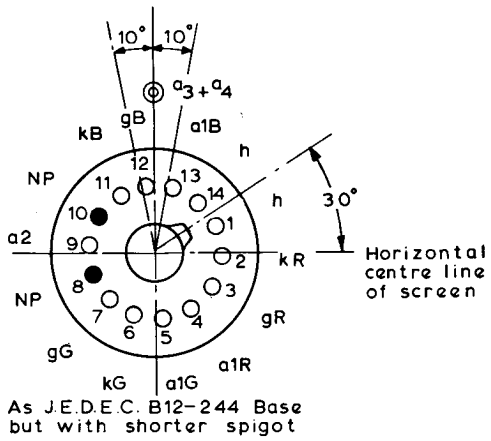
* These dimensions define extent of 29.21R

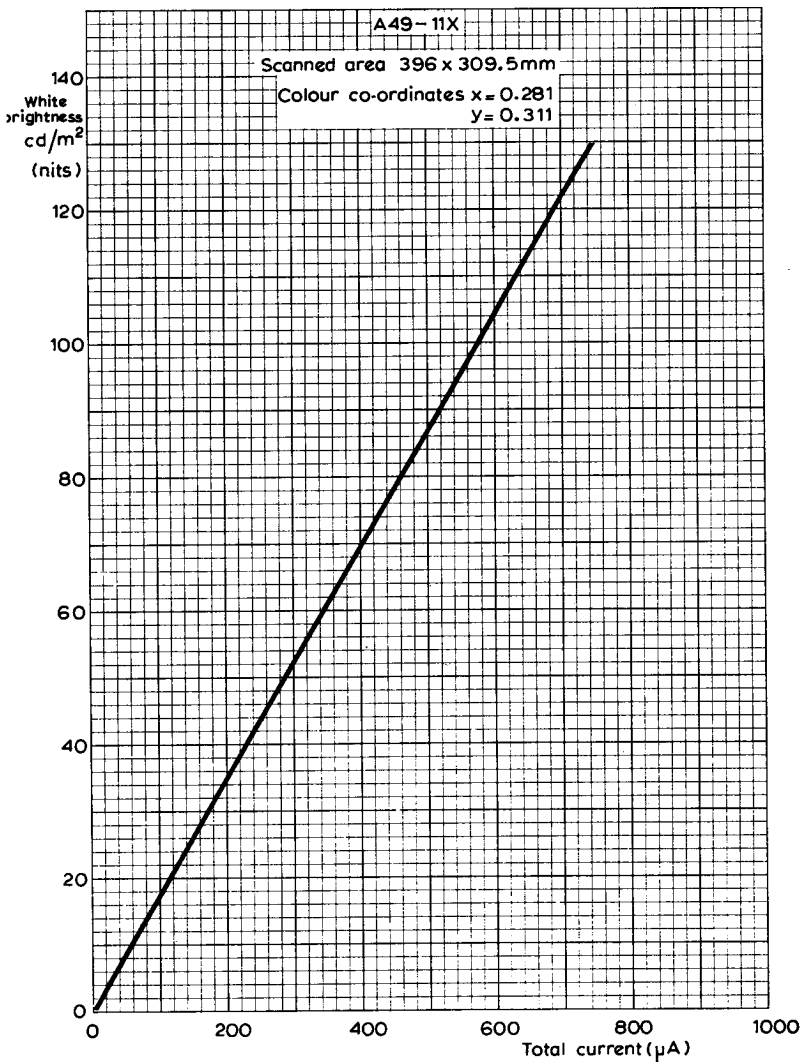


Outline of tube with components

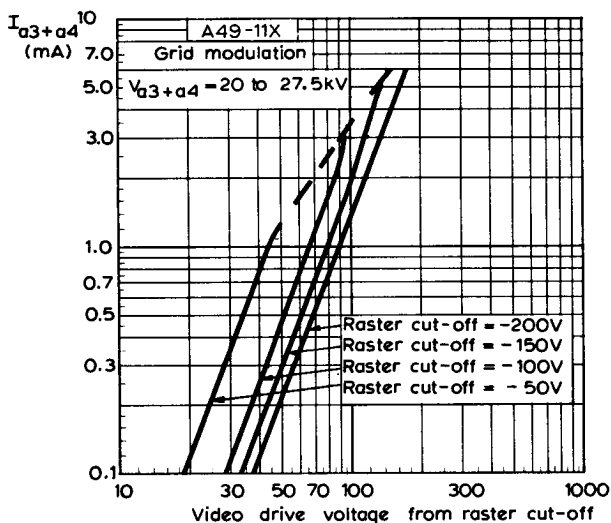


All dimensions in mm

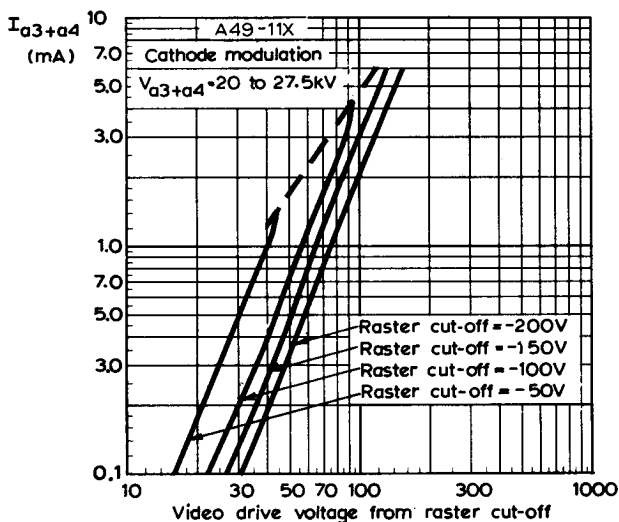




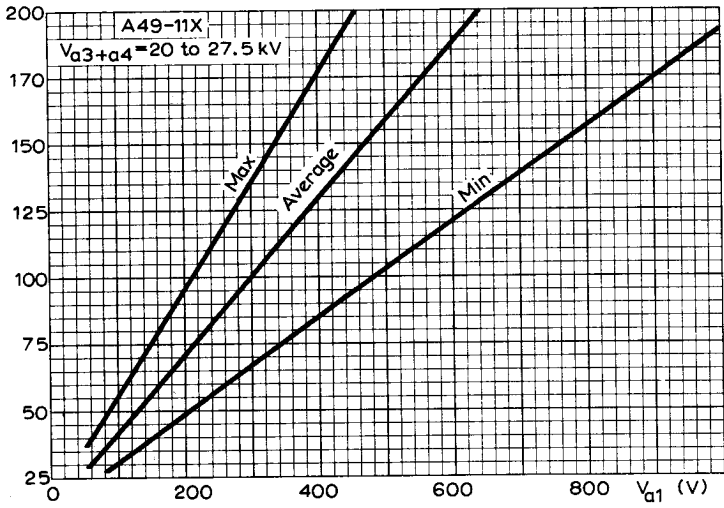
BRIGHTNESS AT CENTRE OF SCREEN PLOTTED AGAINST TOTAL CURRENT
FOR WHITE OF COLOUR COORDINATES $x=0.281$, $y=0.311$



FINAL ANODE CURRENT PLOTTED AGAINST GRID VOLTAGE
GRID MODULATION



FINAL ANODE CURRENT PLOTTED AGAINST CATHODE-TO-GRID
VOLTAGE. CATHODE MODULATION



CUT-OFF DESIGN CHART

