

Mullard

HIGH VOLTAGE RECTIFIER

HVR2

The HVR2 is an indirectly heated high-voltage half-wave rectifier for use in apparatus employing Cathode Ray Tubes.

HEATER CHARACTERISTICS

Heater Voltage ... $V_f = 4.0$ volts
 Heater Current ... $I_f = 0.65$ amp
 Heating Time—40 seconds

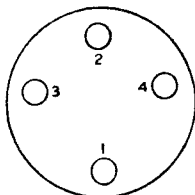
DIMENSIONS

Overall Length ... = 130 mm.
 Overall Diameter = 46 mm.

OPERATING DATA

Maximum Anode Voltage (R.M.S.) ... $V_{a\max} = 6,000$ volts
 Maximum Rectified Current (Continuous) ... $I_{a\max} = 3.0$ mA
 Maximum Peak Inverse Voltage ... = 20,000 volts

CONNECTIONS

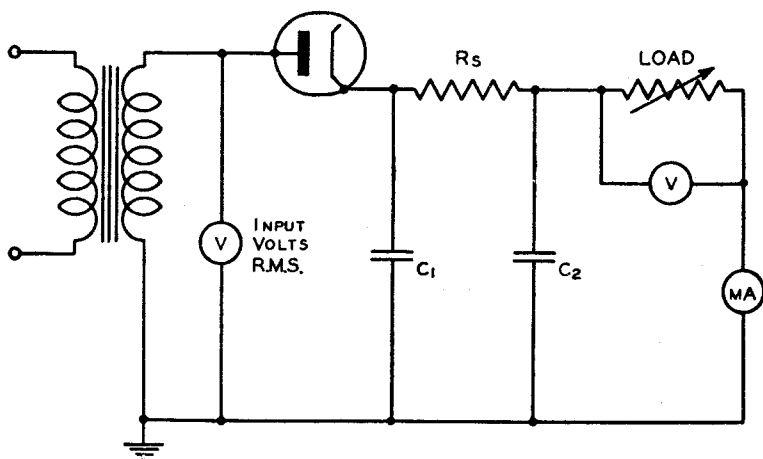


Viewed from free end of pins

Pin No. 1 —
 „ 2 —
 „ 3 Heater } Cathode internally connected
 „ 4 Heater }
 Top Cap—Anode

OPERATING NOTES

A typical method of operating is shown below, the constants on the curves refer to this circuit.



HVR2

Mullard HIGH VOLTAGE RECTIFIER

